

JVC

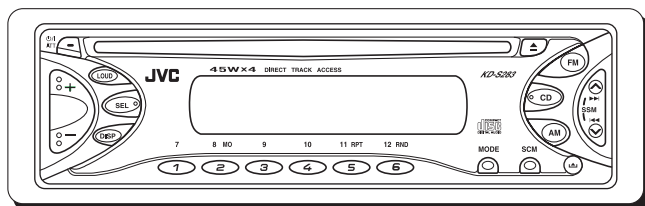
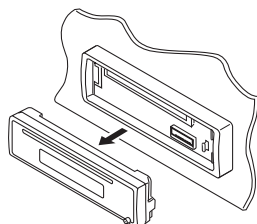
SERVICE MANUAL

CD RECEIVER

KD-S283

Area suffix

UF ----- China



COMPACT
disc
DIGITAL AUDIO

TABLE OF CONTENTS

1	PRECAUTION.....	1-3
2	SPECIFIC SERVICE INSTRUCTIONS.....	1-5
3	DISASSEMBLY	1-6
4	ADJUSTMENT	1-24
5	TROUBLESHOOTING	1-25


SPECIFICATION


AUDIO AMPLIFIER SECTION		
Maximum Power Output	Front	45W per channel
	Rear	45W per channel
Continuous Power Output (RMS)	Front	17W per channel into 4 Ω , 40 Hz to 20000 Hz at no more than 0.8% total harmonic distortion.
	Rear	17W per channel into 4 Ω , 40 Hz to 20000 Hz at no more than 0.8% total harmonic distortion.
Load Impedance		4 Ω (4 Ω to 8 Ω allowance)
Tone Control Range	Bass	± 10 dB at 100 Hz
	Treble	± 10 dB at 10 kHz
Frequency Response		40 Hz to 20000 Hz
Signal-to-Noise Ratio		70 dB
Line-Out Level/Impedance		2.0 V/20 k Ω load (full scale)
Output Impedance		1 k Ω
TUNER SECTION		
Frequency Range	FM	87.5 MHz to 108.0 MHz
	AM	531 kHz to 1602 kHz
[FM Tuner]	Usable Sensitivity	11.3 dBf (1.0 uV/75 Ω)
	50 dB Quieting Sensitivity	16.3 dBf (1.8 uV/75 Ω)
	Alternate Channel Selectivity (400 kHz)	65 dB
	Frequency Response	40 Hz to 15000 Hz
	Stereo Separation	35 dB
	Capture Ratio	1.5 dB
[AM Tuner]	Sensitivity	20 uV
	Selectivity	35 dB
CD PLAYER SECTION		
Type		Compact disc player
Signal Detection System		Non-contact optical pickup (semiconductor laser)
Number of channels		2 channels (stereo)
Frequency Response		5 Hz to 20000 Hz
Dynamic Range		90 dB
Signal-to-Noise Ratio		95 dB
Wow and flutter		Less than measurable limit
GENERAL		
Power Requirement	Operating Voltage	DC 14.4 V (11 V to 16 V allowance)
Grounding System		Negative ground
Allowable Operating Temperature		0°C to +40°C
Dimensions (W \times H \times D)	Installation Size (approx.)	182 mm \times 52 mm \times 150 mm
	Panel size (approx.)	188 mm \times 58 mm \times 11 mm
Mass (approx.)		1.3 kg

Design and specifications are subject to change without notice.

SECTION 1 PRECAUTION

1.1 Safety Precautions

 **CAUTION** Burrs formed during molding may be left over on some parts of the chassis. Therefore, pay attention to such burrs in the case of performing repair of this system.

 **CAUTION** Please use enough caution not to see the beam directly or touch it in case of an adjustment or operation check.

1.2 Preventing static electricity

Electrostatic discharge (ESD), which occurs when static electricity stored in the body, fabric, etc. is discharged, can destroy the laser diode in the traverse unit (optical pickup). Take care to prevent this when performing repairs.

1.2.1 Grounding to prevent damage by static electricity

Static electricity in the work area can destroy the optical pickup (laser diode) in devices such as CD players.

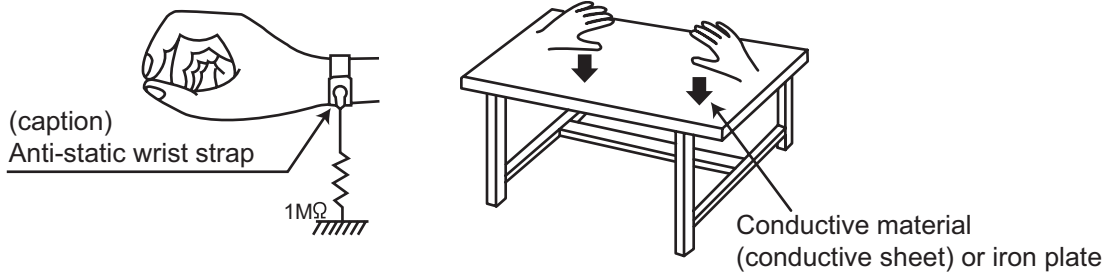
Be careful to use proper grounding in the area where repairs are being performed.

(1) Ground the workbench

Ground the workbench by laying conductive material (such as a conductive sheet) or an iron plate over it before placing the traverse unit (optical pickup) on it.

(2) Ground yourself

Use an anti-static wrist strap to release any static electricity built up in your body.



(3) Handling the optical pickup

- In order to maintain quality during transport and before installation, both sides of the laser diode on the replacement optical pickup are shorted. After replacement, return the shorted parts to their original condition. (Refer to the text.)
- Do not use a tester to check the condition of the laser diode in the optical pickup. The tester's internal power source can easily destroy the laser diode.

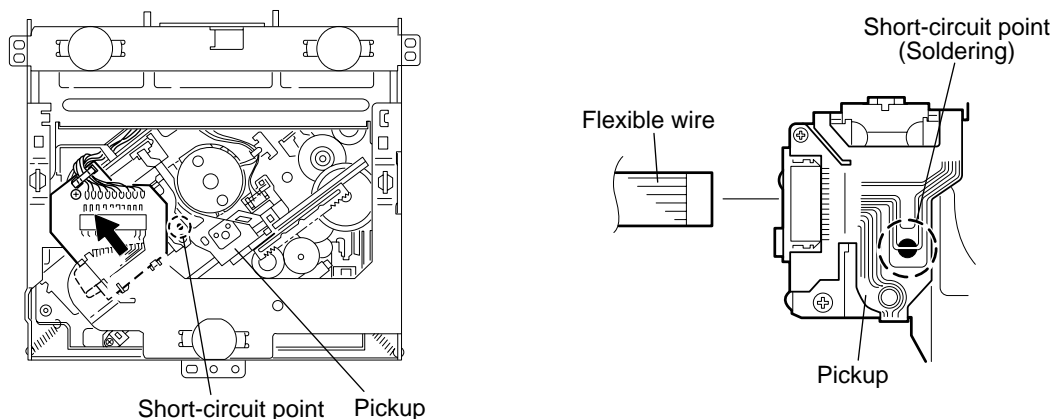
1.3 Handling the traverse unit (optical pickup)

- (1) Do not subject the traverse unit (optical pickup) to strong shocks, as it is a sensitive, complex unit.
- (2) Cut off the shorted part of the flexible cable using nippers, etc. after replacing the optical pickup. For specific details, refer to the replacement procedure in the text. Remove the anti-static pin when replacing the traverse unit. Be careful not to take too long a time when attaching it to the connector.
- (3) Handle the flexible cable carefully as it may break when subjected to strong force.
- (4) It is not possible to adjust the semi-fixed resistor that adjusts the laser power. Do not turn it.

1.4 Attention when traverse unit is decomposed

***Please refer to "Disassembly method" in the text for the CD pickup unit.**

- Apply solder to the short land before the flexible wire is disconnected from the connector on the CD pickup unit. (If the flexible wire is disconnected without applying solder, the CD pickup may be destroyed by static electricity.)
- In the assembly, be sure to remove solder from the short land after connecting the flexible wire.



SECTION 2
SPECIFIC SERVICE INSTRUCTIONS

This service manual does not describe SPECIFIC SERVICE INSTRUCTIONS.

SECTION 3 DISASSEMBLY

3.1 Main body

3.1.1 Removing the front panel assembly (See Fig.1)

- (1) Press the release button and remove the front panel assembly.

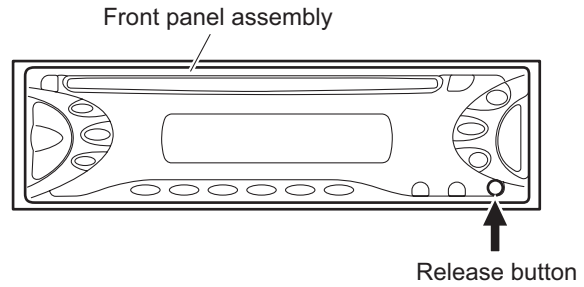


Fig.1

3.1.2 Removing the bottom cover (See Figs.2)

- (1) Turn over the main body and release the two joints **a**, two joints **b** and joint **c**.

CAUTION:

Do not damage the main board when releasing the joints using a screwdriver.

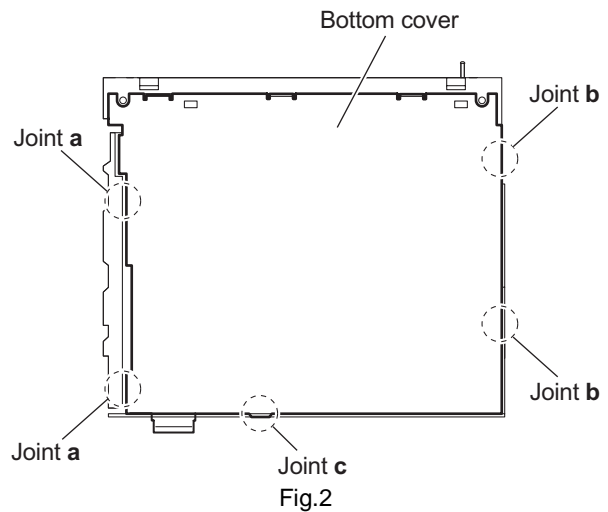


Fig.2

3.1.3 Removing the front chassis assembly (See Figs.3)

- Prior to performing the following procedure, remove the front panel assembly and bottom cover.
 - (1) Remove the screws **A** on the left side of the main body.
 - (2) Release the two joints **d** and joints **e** on the both sides of the main body, then remove the front chassis assembly toward the front.

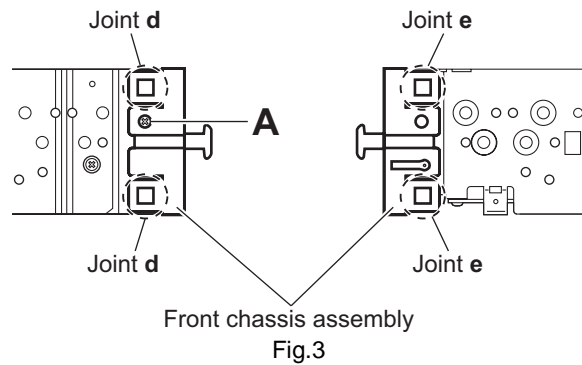
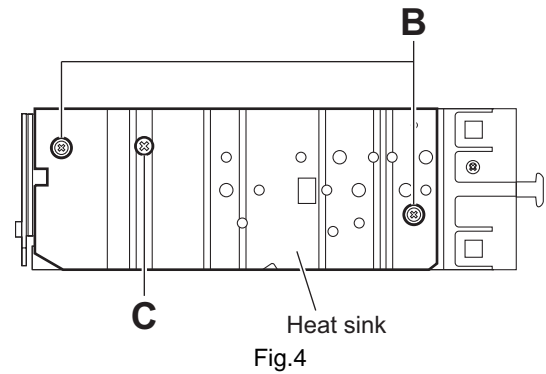


Fig.3

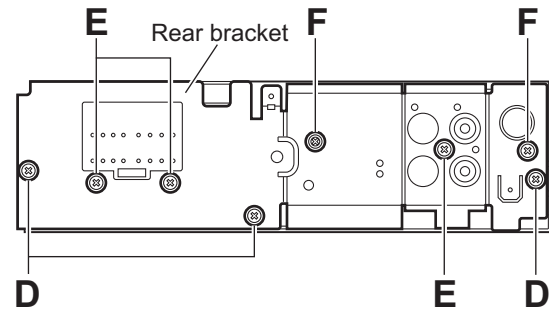
3.1.4 Removing the heat sink (See Fig.4)

- Prior to performing the following procedure, remove the front panel assembly as required.
 - (1) Remove the two screws **B** and screw **C** on the left side of the main body.



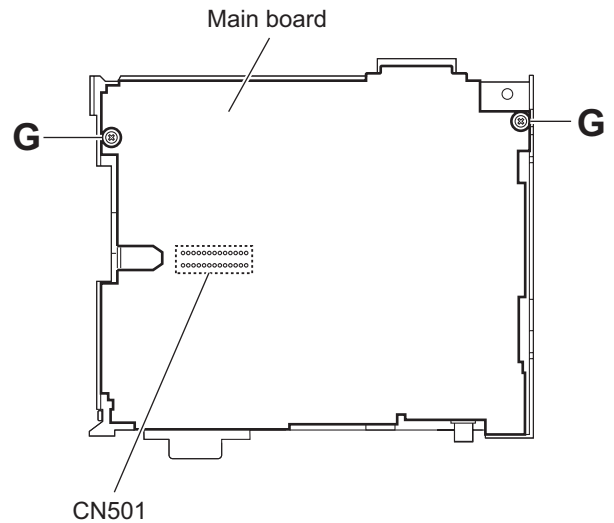
3.1.5 Removing the rear bracket (See Fig.5)

- Prior to performing the following procedures, remove the bottom cover.
 - (1) Remove the three screws **D**, three screws **E** and two screws **F** on the back side of the main body.
 - (2) Remove the rear bracket.



3.1.6 Removing the main board (See Fig.6)

- Prior to performing the following procedures, remove the front panel assembly, bottom cover, front chassis assembly, heat sink and rear bracket.
 - (1) Remove the two screws **G** attaching the main board.
 - (2) Disconnect the connector [CN501](#) and remove the main board.



3.1.7 Removing the CD mechanism assembly (See Fig.7)

- Prior to performing the following procedure, remove the front panel assembly, bottom cover, front chassis assembly, heat sink, rear bracket and main board.
 - (1) Remove the three screws **H** attaching the CD mechanism assembly to the top chassis.

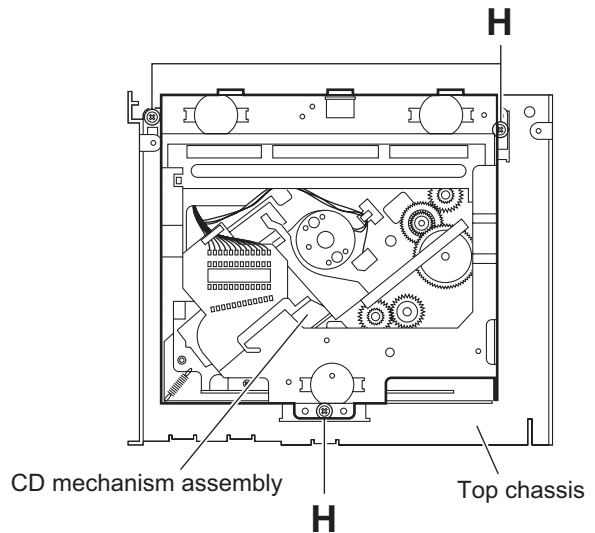


Fig.7

3.1.8 Removing the front board (See Figs. 8 to 10)

- Prior to performing the following procedures, remove the front panel assembly.
 - (1) Remove the four screws **J** on the back side of the front panel assembly. (See Fig.8)
 - (2) Release the eleven joints **f** attaching the rear cover to the front panel assembly. (See Fig.9)
 - (3) Take out the front board from the front panel assembly. (See Fig.10)

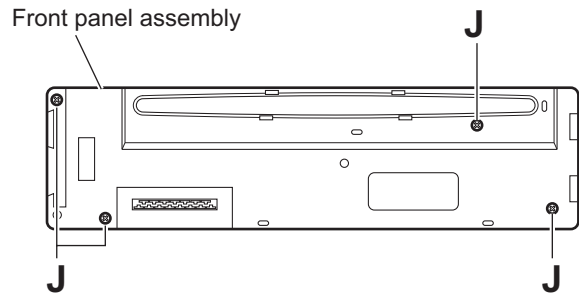


Fig.8

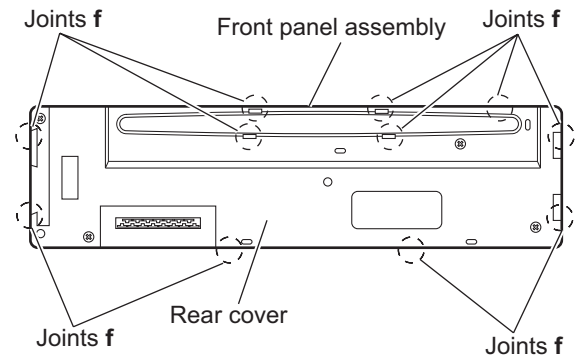


Fig.9

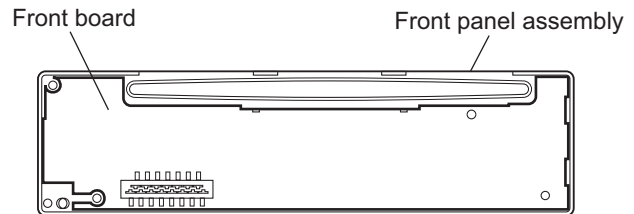


Fig.10

3.2 CD Mechanism Assembly

3.2.1 Removing the top cover (See Figs.1 and 2)

- (1) Remove the two screws **A** on the both side of the body.
- (2) Lift the front side of the top cover and move the top cover backward to release the two joints **a**.

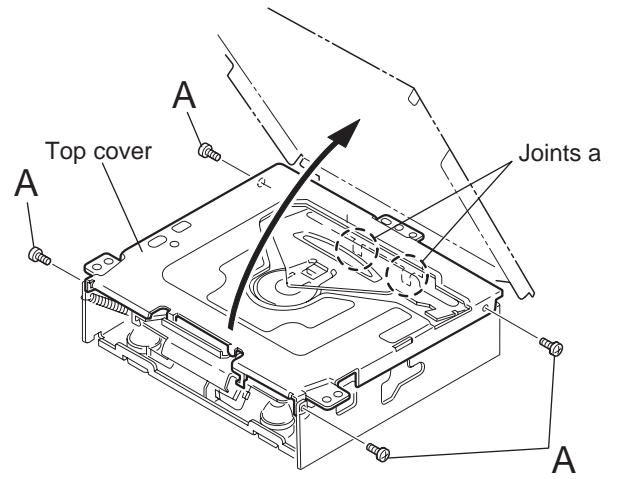


Fig.1

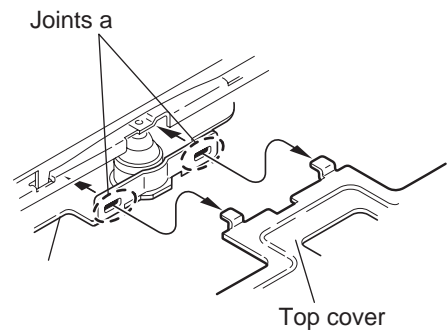


Fig.2

3.2.2 Removing the connector board (See Figs.3 to 5)

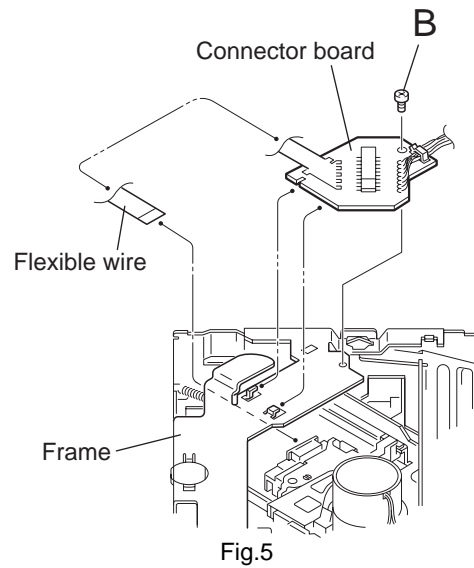
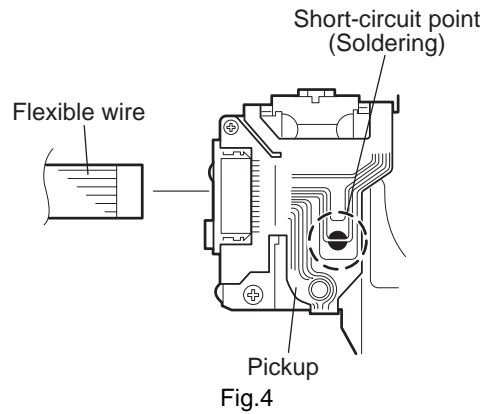
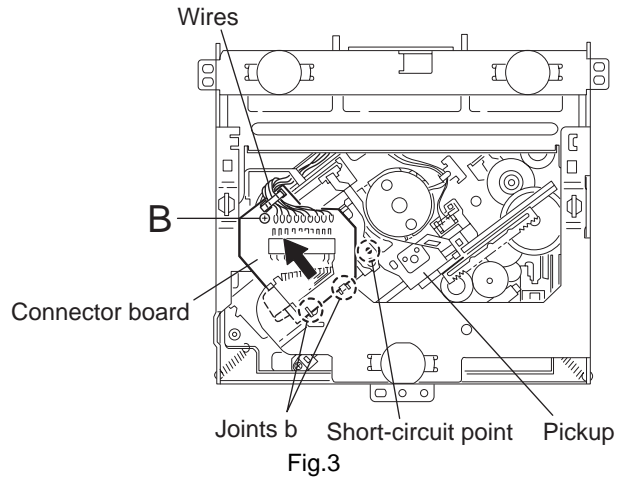
CAUTION:

Before disconnecting the flexible wire from the pickup, solder the short-circuit point on the pickup. No observance of this instruction may cause damage of the pickup.

- (1) Remove the screw **B** fixing the connector board.
- (2) Solder the short-circuit point on the connector board.
- (3) Disconnect the flexible wire from the pickup.
- (4) Move the connector board in the direction of the arrow to release the two joints **b**.
- (5) Unsolder the wire on the connector board if necessary.

CAUTION:

Unsolder the short-circuit point after reassembling.



3.2.3 Removing the DET switch (See Figs.6 and 7)

- (1) Extend the two tabs **c** of the feed sw. holder and pull out the switch.
- (2) Unsolder the DET switch wire if necessary.

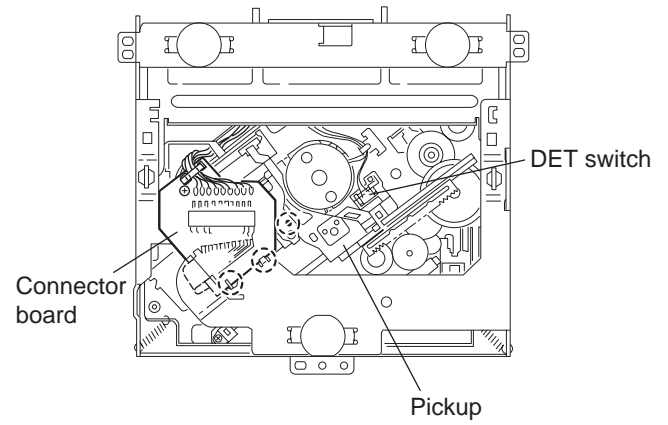


Fig.6

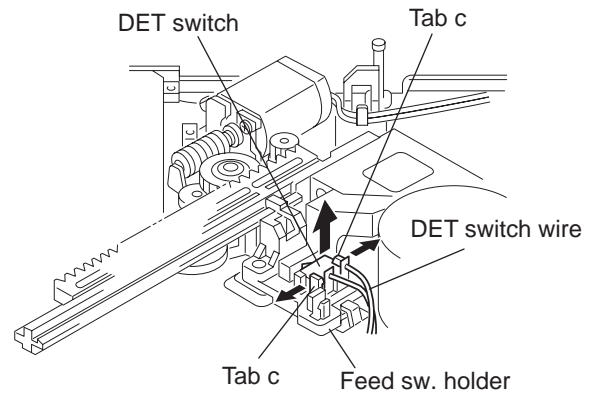


Fig.7

3.2.4 Removing the chassis unit (See Figs.8 and 9)

- Prior to performing the following procedure, remove the top cover and connector board.
(1) Remove the two suspension springs (L) and (R) attaching the chassis unit to the frame.

CAUTION:

- The shape of the suspension spring (L) and (R) are different. Handle them with care.
- When reassembling, make sure that the three shafts on the underside of the chassis unit are inserted to the dampers certainly.

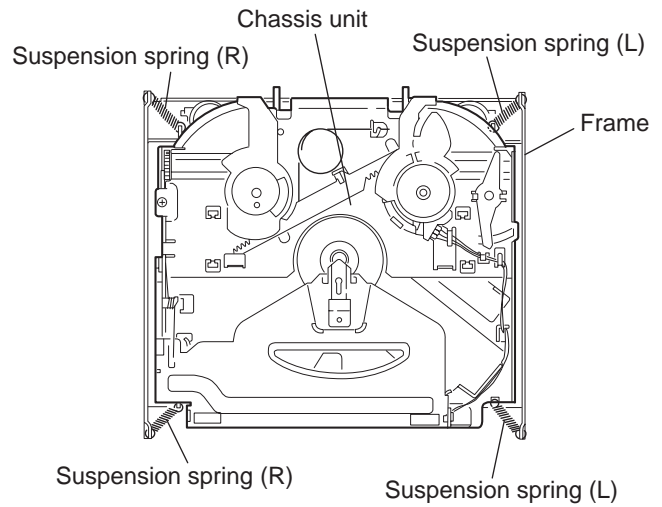


Fig.8

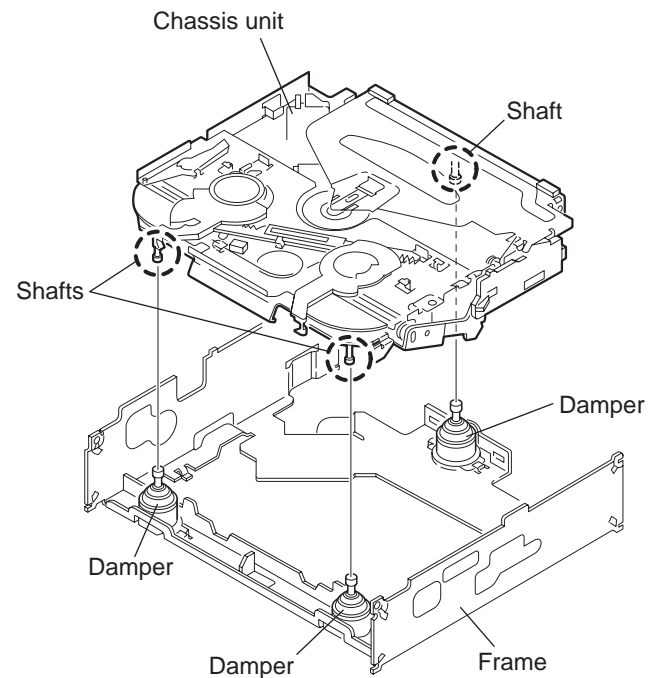
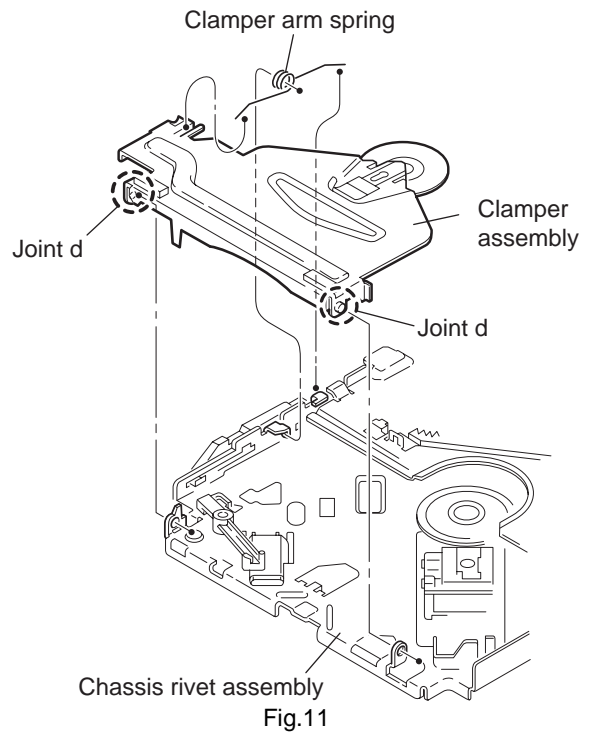
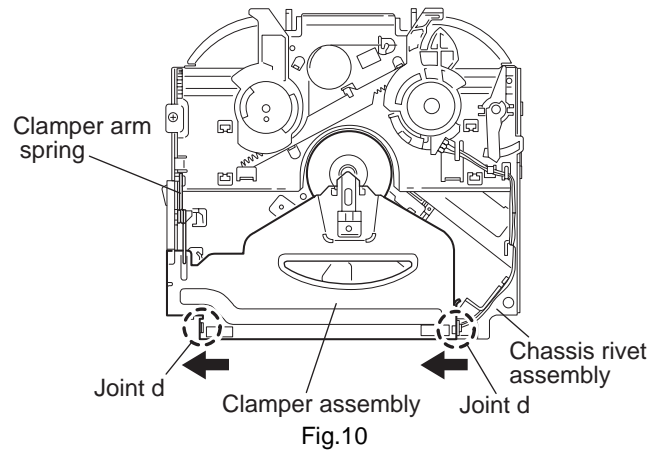


Fig.9

3.2.5 Removing the clamper assembly (See Figs.10 and 11)

- Prior to performing the following procedure, remove the top cover.
 - (1) Remove the clamper arm spring.
 - (2) Move the clamper assembly in the direction of the arrow to release the two joints **d**.

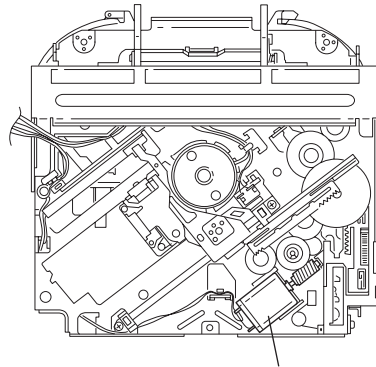


3.2.6 Removing the loading / feed motor assembly (See Figs.12 and 13)

- Prior to performing the following procedure, remove the top cover, connector board and chassis unit.
 - (1) Remove the screw **C** and move the loading / feed motor assembly in the direction of the arrow to remove it from the chassis rivet assembly.
 - (2) Disconnect the wire from the loading / feed motor assembly if necessary.

CAUTION:

When reassembling, connect the wire from the loading / feed motor assembly to the flame as shown in Fig.12.



Loading / feed motor assembly

Fig.12

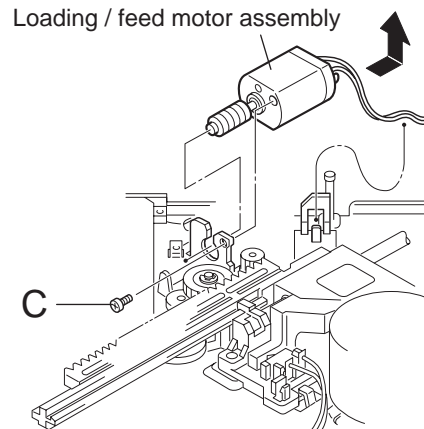


Fig.13

3.2.7 Removing the pickup unit (See Figs.14 to 18)

- Prior to performing the following procedure, remove the top cover, connector board and chassis unit.
 - (1) Remove the screw **D** and pull out the pu. shaft holder from the pu. shaft.
 - (2) Remove the screw **E** attaching the feed sw. holder.
 - (3) Move the part **e** of the pickup unit upward with the pu. shaft and the feed sw. holder, then release the joint **f** of the feed sw. holder in the direction of the arrow. The joint **g** of the pickup unit and the feed rack is released, and the feed sw. holder comes off.
 - (4) Remove the pu. shaft from the pickup unit.
 - (5) Remove the screw **F** attaching the feed rack to the pickup unit.

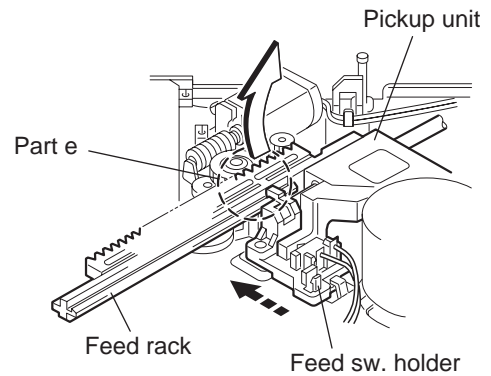


Fig.15

3.2.8 Reattaching the pickup unit (See Figs.14 to 17)

- (1) Reattach the feed rack to the pickup unit using the screw **F**.
- (2) Reattach the feed sw. holder to the feed rack while setting the joint **g** to the slot of the feed rack and setting the part **f** of the feed rack to the switch of the feed sw. holder correctly.
- (3) As the feed sw. holder is temporarily attached to the pickup unit, set to the gear of the joint **g** and to the bending part of the chassis (joint **h**) at a time.

CAUTION:

Make sure that the part **i** on the underside of the feed rack is certainly inserted to the slot **j** of the change lock lever.

- (4) Reattach the feed sw. holder using the screw **E**.
- (5) Reattach the pu. shaft to the pickup unit. Reattach the pu. shaft holder to the pu. shaft using the screw **D**.

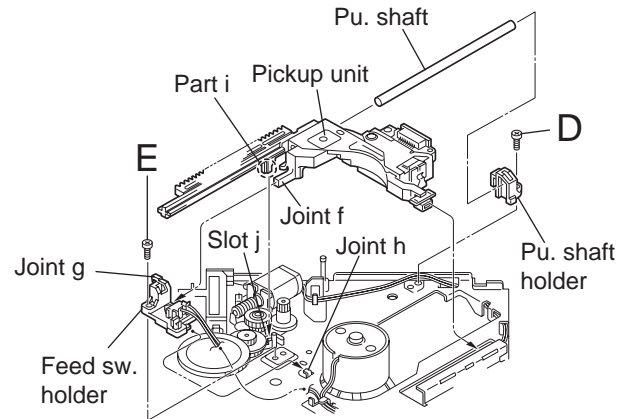


Fig.16

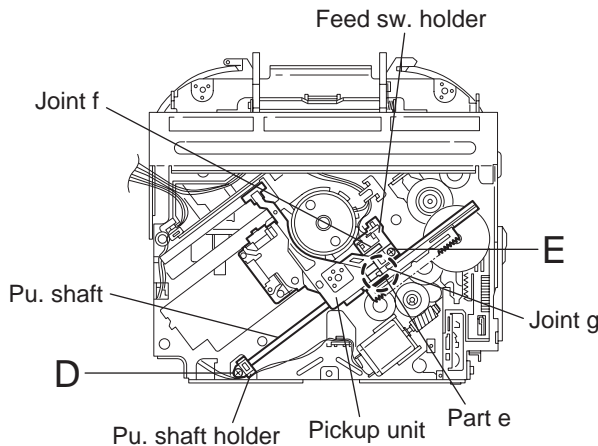


Fig.14

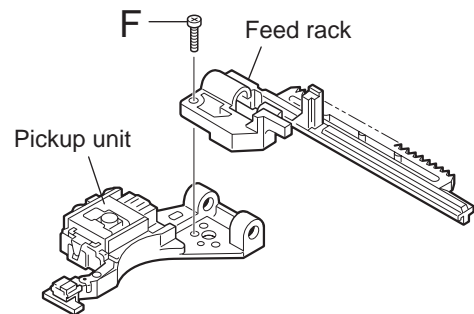


Fig.17

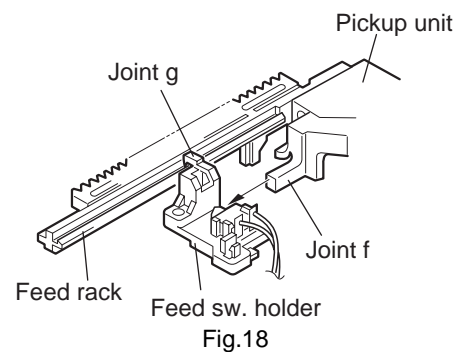


Fig.18

**3.2.9 Removing the trigger arm
(See Figs.19 and 20)**

- Prior to performing the following procedure, remove the top cover, connector board and clamper unit.
 - (1) Turn the trigger arm in the direction of the arrow to release the joint k and pull out upward.

CAUTION:

When reassembling, insert the part m and n of the trigger arm into the part p and q at the slot of the chassis rivet assembly respectively and join the joint k at a time.

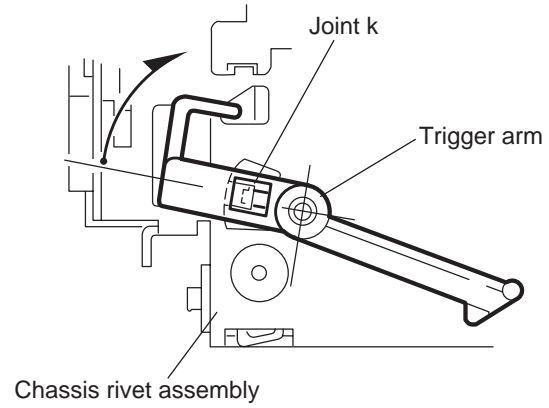


Fig.19

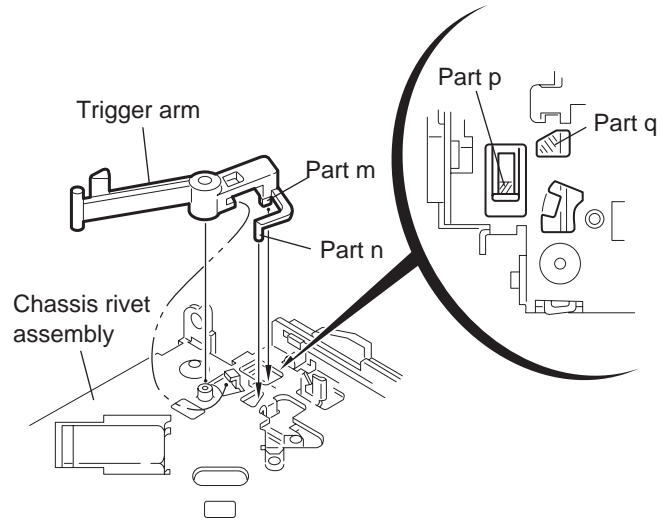


Fig.20

**3.2.10 Removing the top plate assembly
(See Fig.21)**

- Prior to performing the following procedure, remove the top cover, connector board, chassis unit, and clamper assembly.
 - (1) Remove the screw H.
 - (2) Move the top plate assembly in the direction of the arrow to release the two joints r.
 - (3) Unsolder the wire marked s if necessary.

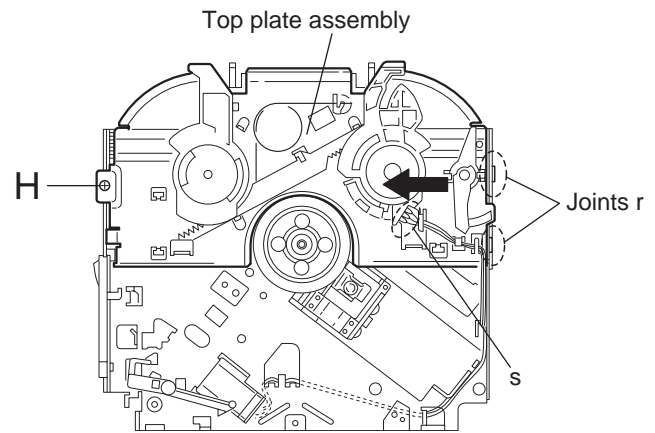


Fig.21

3.2.11 Removing the mode sw. / select lock arm (See Figs.22 and 23)

- Prior to performing the following procedure, remove the top plate assembly.
 - (1) Bring up the mode sw. to release from the link plate (joint t) and turn in the direction of the arrow to release the joint u.
 - (2) Unsolder the wire of the mode sw. marked s if necessary.
 - (3) Turn the select lock arm in the direction of the arrow to release the two joints v.
 - (4) The select lock arm spring comes off the select lock arm at the same time.

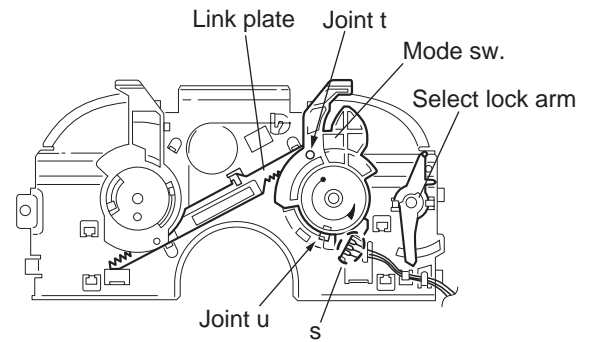


Fig.22

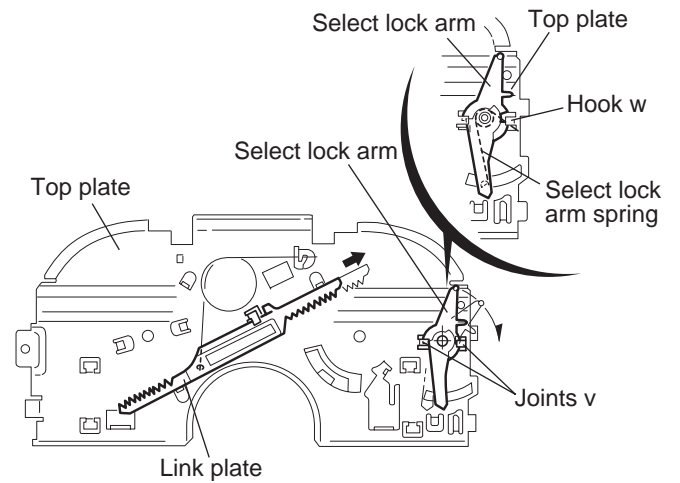


Fig.23

3.2.12 Reassembling the mode sw. / select lock arm (See Figs.24 to 26)

REFERENCE:

Reverse the above removing procedure.

- (1) Reattach the select lock arm spring to the top plate and set the shorter end of the select lock arm spring to the hook w on the top plate.
- (2) Set the other longer end of the select lock arm spring to the boss x on the underside of the select lock arm, and join the select lock arm to the slots (joint v). Turn the select lock arm as shown in the figure.
- (3) Reattach the mode sw. while setting the part t to the first peak of the link plate gear, and join the joint u.

CAUTION:

When reattaching the mode sw., check if the points y and z are correctly fitted and if each part operates properly.

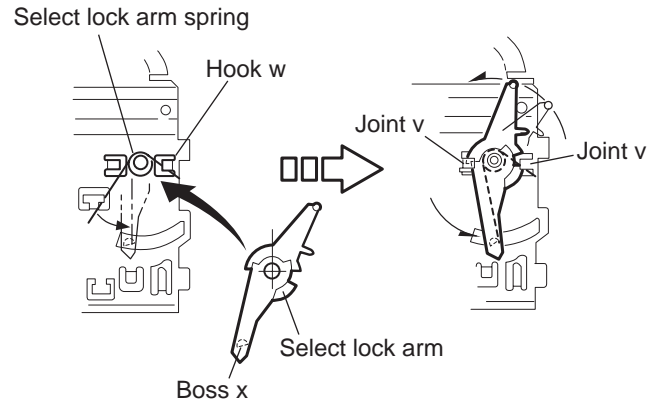


Fig.24

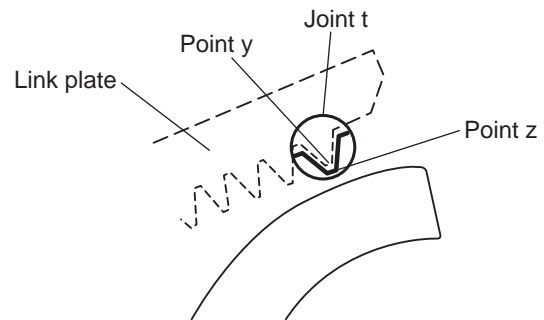


Fig.25

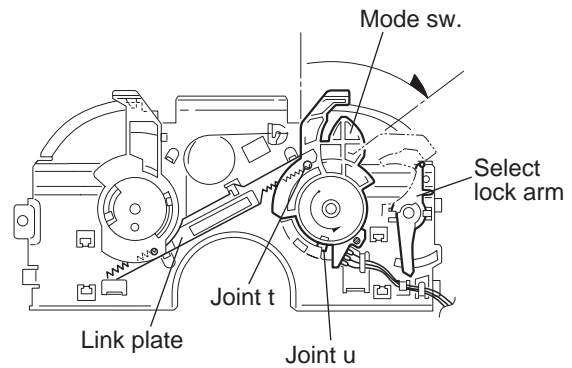


Fig.26

3.2.13 Removing the select arm R / link plate
(See Figs.27 and 28)

- Prior to performing the following procedure, remove the top plate assembly.
 - (1) Bring up the select arm R to release from the link plate (joint a') and turn as shown in the figure to release the two joints b' and joint c'.
 - (2) Move the link plate in the direction of the arrow to release the joint d'. Remove the link plate spring at the same time.

REFERENCE:

Before removing the link plate, remove the mode sw..

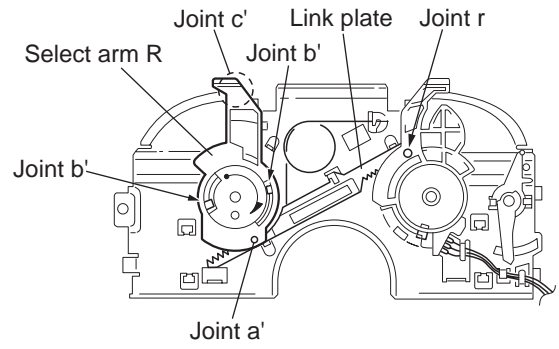


Fig.27

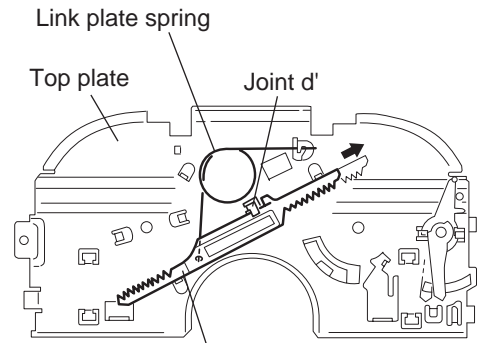


Fig.28

3.2.14 Reattaching the Select arm R / link plate
(See Figs.29 and 30)

REFERENCE:

Reverse the above removing procedure.

- (1) Reattach the link plate spring.
- (2) Reattach the link plate to the link plate spring while joining them at joint d'.
- (3) Reattach the joint a' of the select arm R to the first peak of the link plate while joining the two joints b' with the slots. Then turn the select arm R as shown in the figure. The top plate is joined to the joint c'.

CAUTION:

When reattaching the select arm R, check if the points e' and f' are correctly fitted and if each part operates properly.

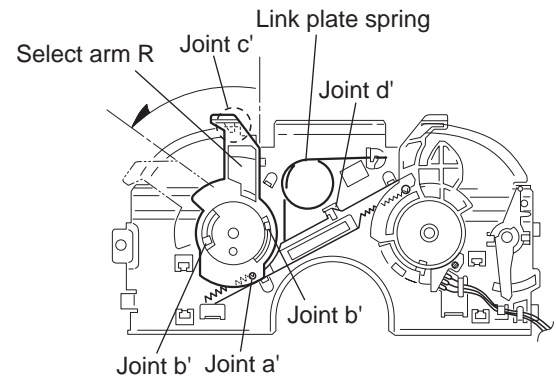


Fig.29

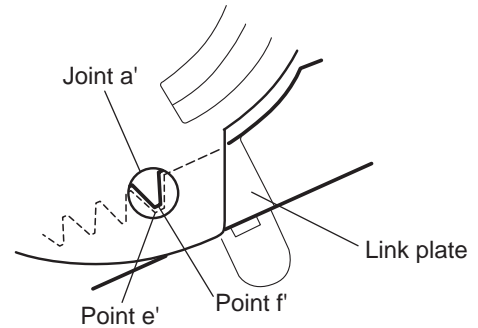


Fig.30

3.2.15 Removing the loading roller assembly (See Figs.31 to 33)

- Prior to performing the following procedure, remove the clamper assembly and top plate assembly.
 - (1) Push inward the loading roller assembly on the gear side and detach it upward from the slot of the joint **g'** of the lock arm rivet assembly.
 - (2) Detach the loading roller assembly from the slot of the joint **h'** of the lock arm rivet assembly.

The roller guide comes off the gear section of the loading roller assembly.

Remove the roller guide and the HL washer from the shaft of the loading roller assembly.

- (3) Remove the screw **J** attaching the lock arm rivet assembly.
- (4) Push the shaft at the joint **i'** of the lock arm rivet assembly inward to release the lock arm rivet assembly from the slot of the L side plate.
- (5) Extend the lock arm rivet assembly outward and release the joint **j'** from the boss of the chassis rivet assembly. The roller guide springs on both sides come off at the same time.

CAUTION:

When reassembling, reattach the left and right roller guide springs to the lock arm rivet assembly before reattaching the lock arm rivet assembly to the chassis rivet assembly. Make sure to fit the part **k'** of the roller guide spring inside of the roller guide. (Refer to Fig.34.)

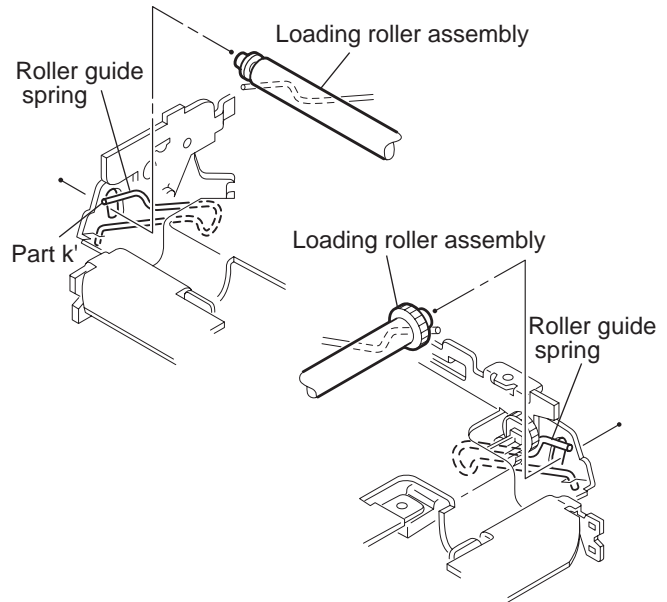


Fig.32

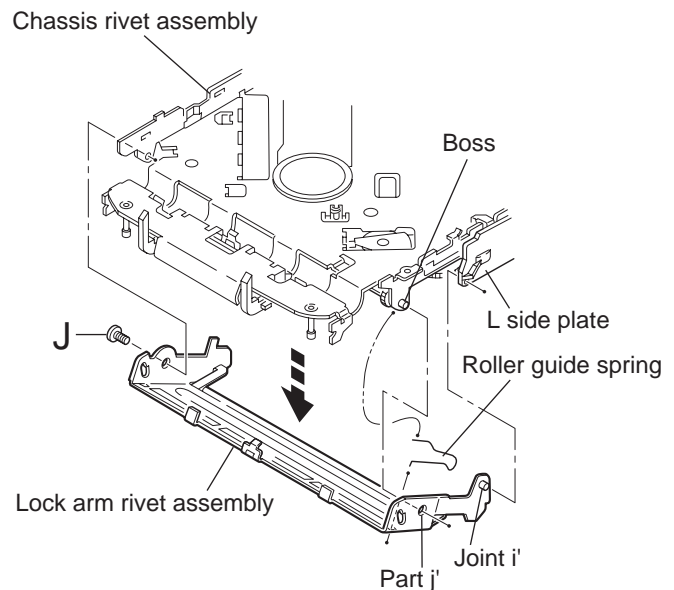


Fig.33

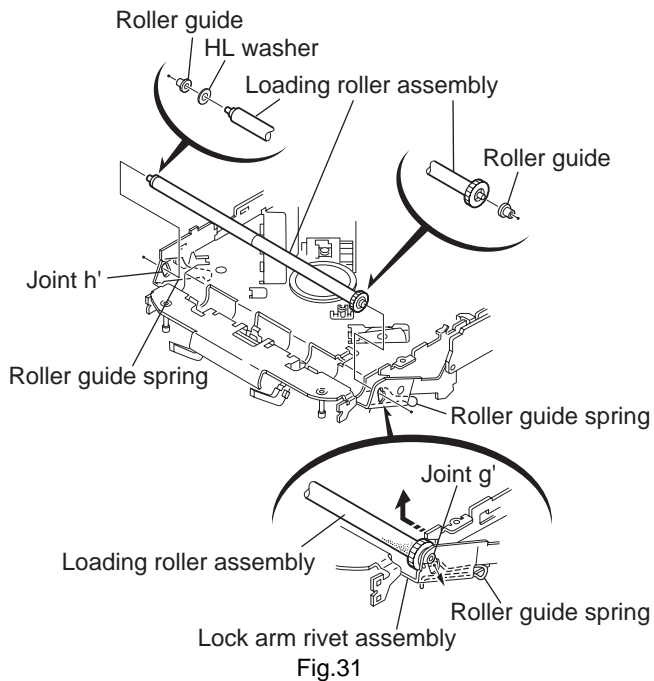


Fig.31

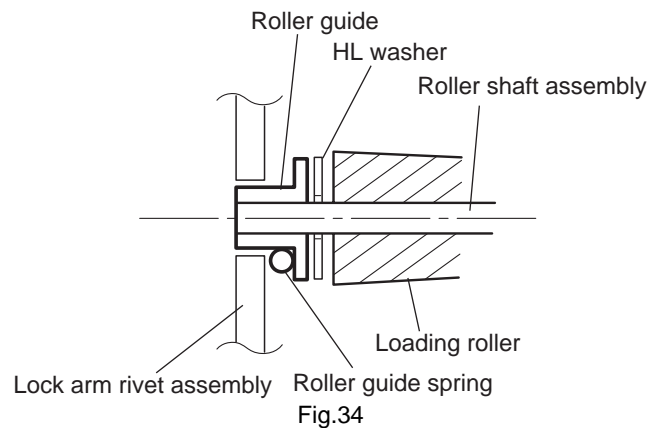


Fig.34

3.2.16 Removing the loading gear 5, 6 and 7 (See Figs.35 and 36)

- Prior to performing the following procedure, remove the top cover, chassis unit, pickup unit and top plate assembly.
 - (1) Remove the screw **K** attaching the loading gear bracket.
The loading gear 6 and 7 come off the loading gear bracket.
 - (2) Pull out the loading gear 5.

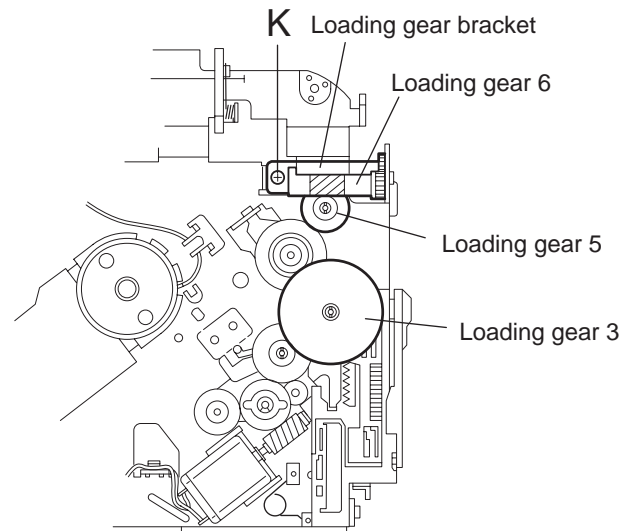


Fig.35

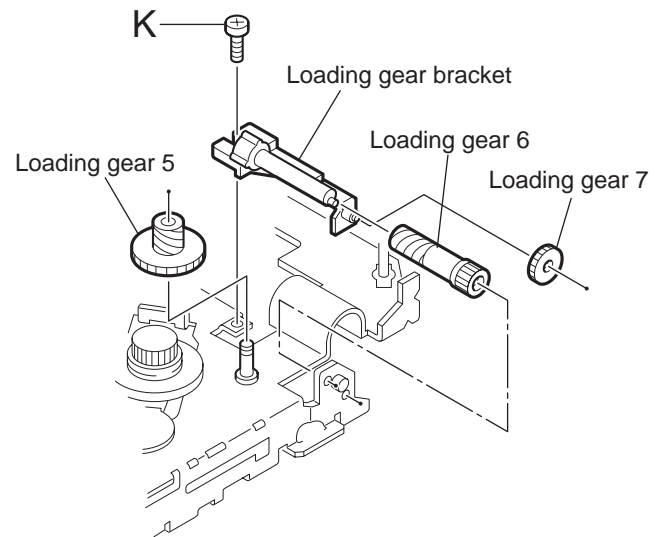
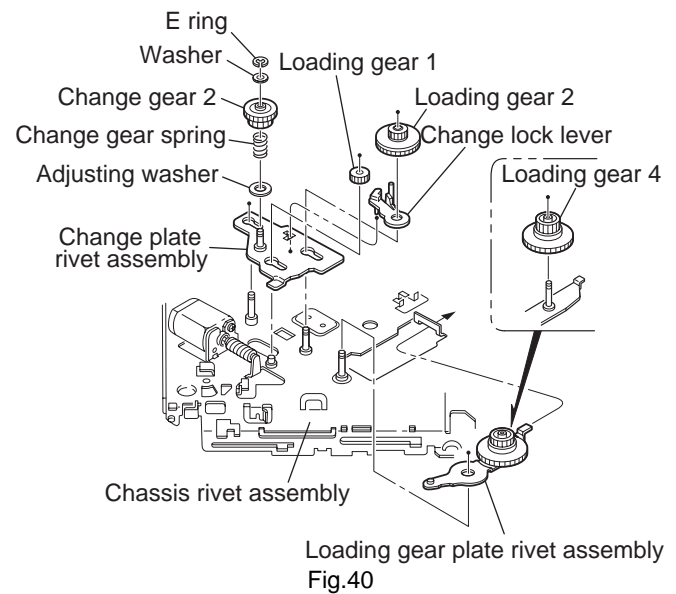
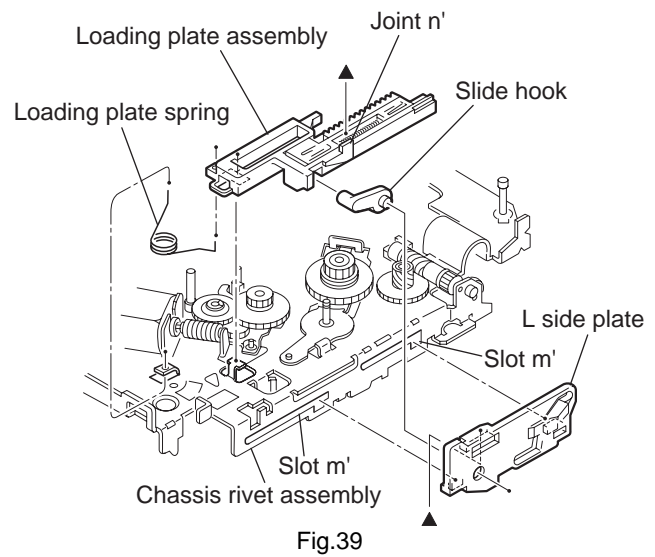
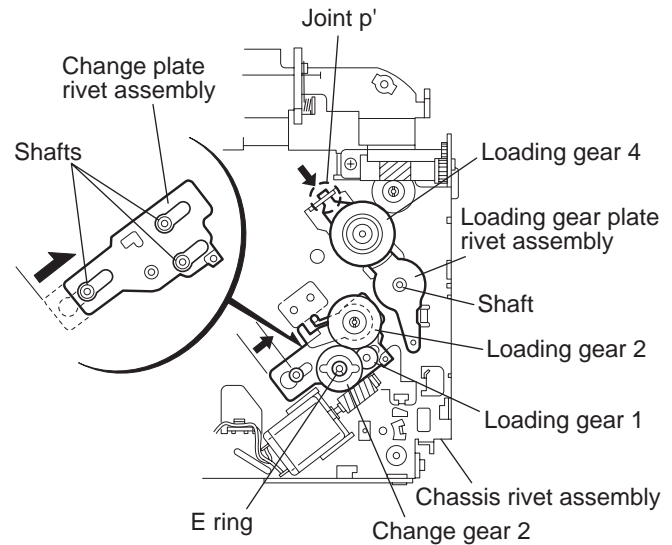
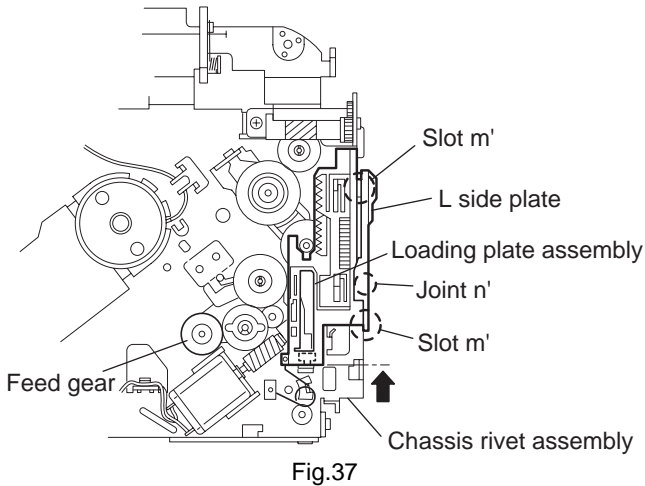


Fig.36

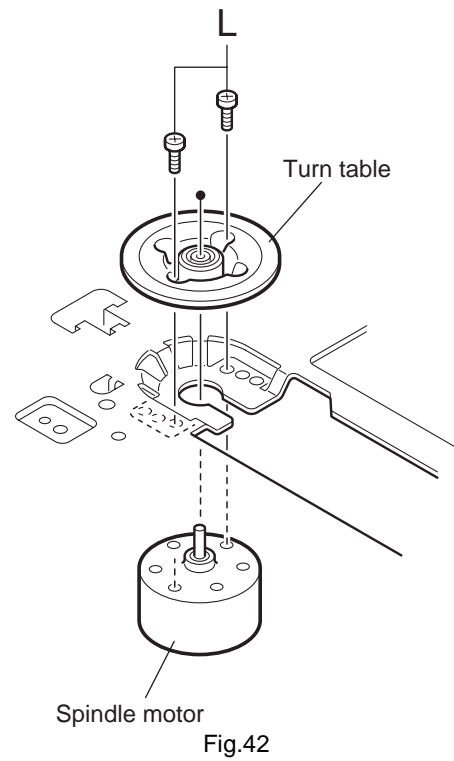
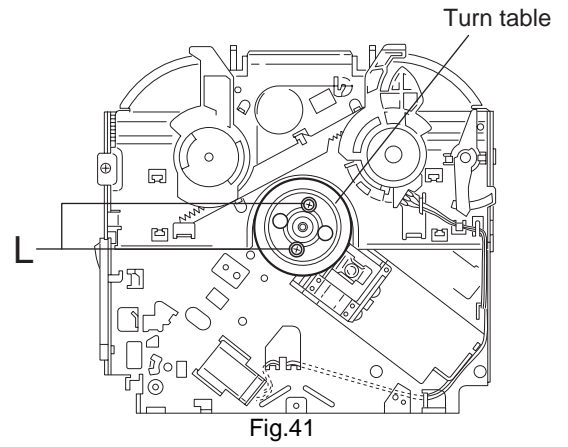
3.2.17 Removing the gears (See Figs.37 to 40)

- Prior to performing the following procedure, remove the top cover, chassis unit, top plate assembly and pickup unit.
- Pull out the loading gear 3. (See Fig.35.)
 - (1) Pull out the feed gear.
 - (2) Move the loading plate assembly in the direction of the arrow to release the L side plate from the two slots m' of the chassis rivet assembly. (See Fig.37.)
 - (3) Detach the loading plate assembly upward from the chassis rivet assembly while releasing the joint n'. Remove the slide hook and loading plate spring from the loading plate assembly.
 - (4) Pull out the loading gear 2 and remove the change lock lever.
 - (5) Remove the E ring and washer attaching the changer gear 2.
 - (6) The changer gear 2, change gear spring and adjusting washer come off.
 - (7) Remove the loading gear 1.
 - (8) Move the change plate rivet assembly in the direction of the arrow to release from the three shafts of the chassis rivet assembly upward. (See Fig.38.)
 - (9) Detach the loading gear plate rivet assembly from the shaft of the chassis rivet assembly upward while releasing the joint p'. (See Figs.38 and 40.)
 - (10) Pull out the loading gear 4.



3.2.18 Removing the turn table / spindle motor (See Figs.41 and 42)

- Prior to performing the following procedure, remove the top cover, connector board, chassis unit and clamper assembly.
 - (1) Remove the two screws L attaching the spindle motor assembly through the slot of the turn table on top of the body.
 - (2) Unsolder the wire on the connector board if necessary.



SECTION 4 ADJUSTMENT

4.1 Adjustment method

■ Test instruments required for adjustment

- (1) Digital oscilloscope (100MHz)
- (2) AM Standard signal generator
- (3) FM Standard signal generator
- (4) Stereo modulator
- (5) Electric voltmeter
- (6) Digital tester
- (7) Tracking offset meter
- (8) Test Disc JVC :CTS-1000
- (9) Extension cable for check
EXTSH002-22P × 1

■ Standard volume position

Balance and Bass & Treble volume : Indication "0"
Loudness : OFF
BBE : OFF

■ How to connect the extension cable for adjusting

Caution:

Be sure to attach the heat sink and rear bracket onto the power amplifier IC and regulator IC respectively, before supply the power.
If voltage is applied without attaching these parts, the power amplifier IC and regulator IC will be destroyed by heat.

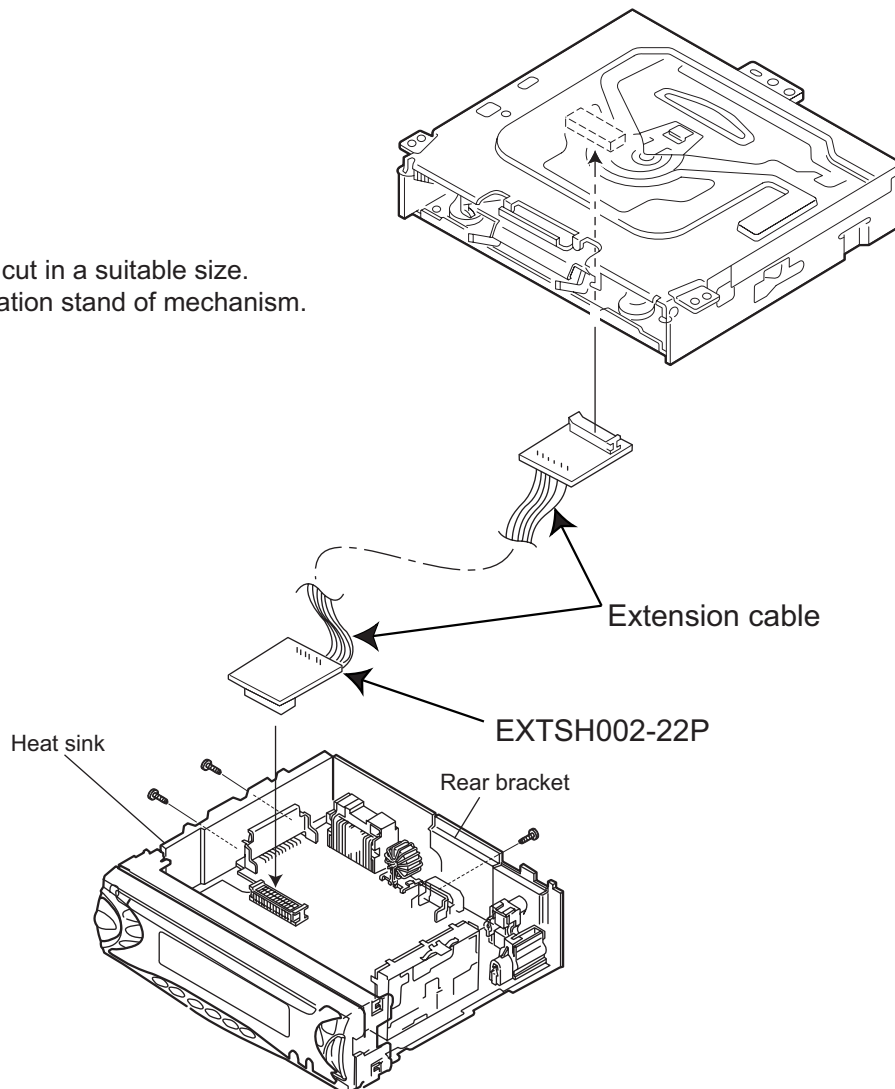
■ Standard measuring conditions

Power supply voltage	DC14.4V(10.5 to 16V)
Load impedance	20K Ω (2 Speakers connection)
Output Level	Line out 2.0V (Vol. MAX)

■ Dummy load

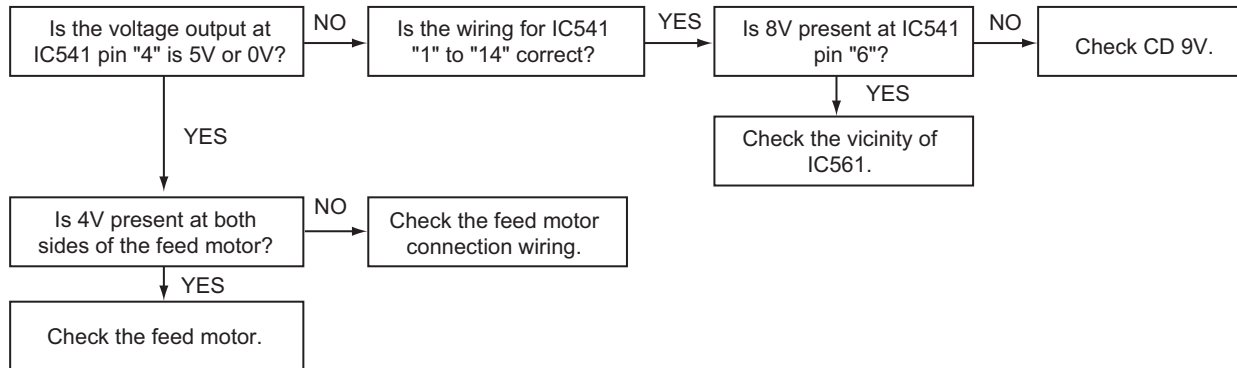
Exclusive dummy load should be used for AM, and FM. For FM dummy load, there is a loss of 6dB between SSG output and antenna input. The loss of 6dB need not be considered since direct reading of figures are applied in this working standard.

*The cardboard is cut in a suitable size.
uses for the insulation stand of mechanism.

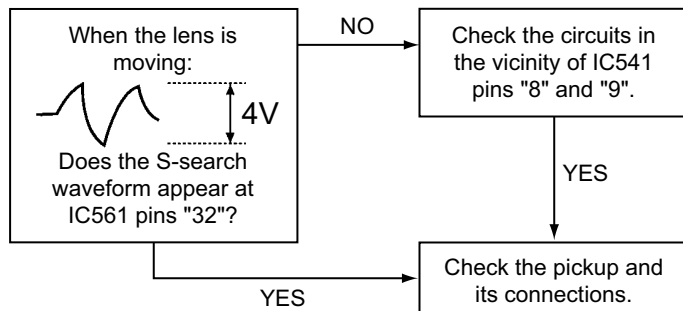


SECTION 5 TROUBLESHOOTING

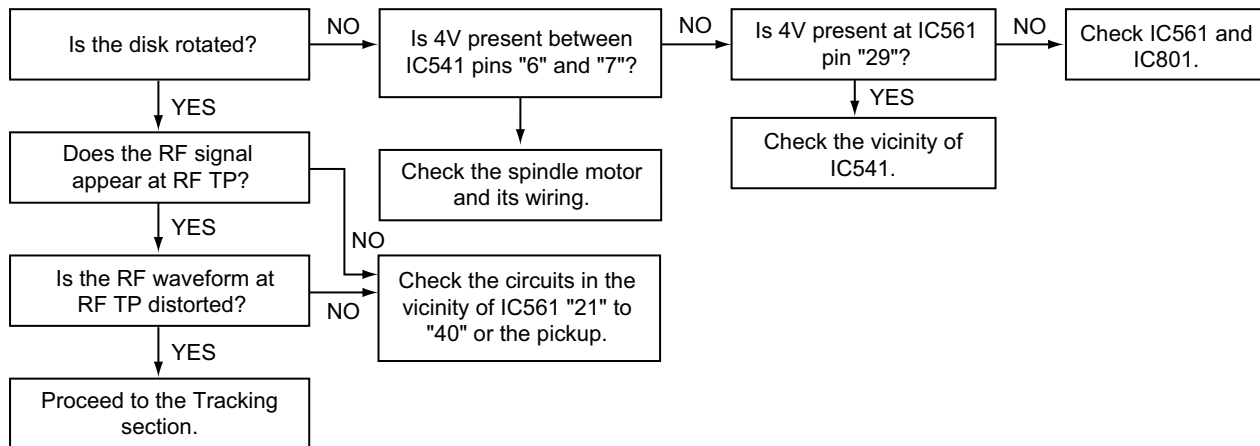
5.1 Feed section



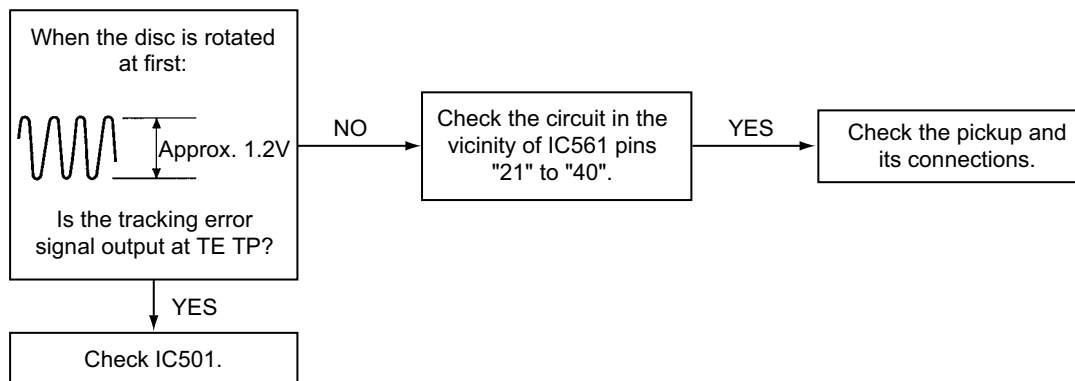
5.2 Focus section



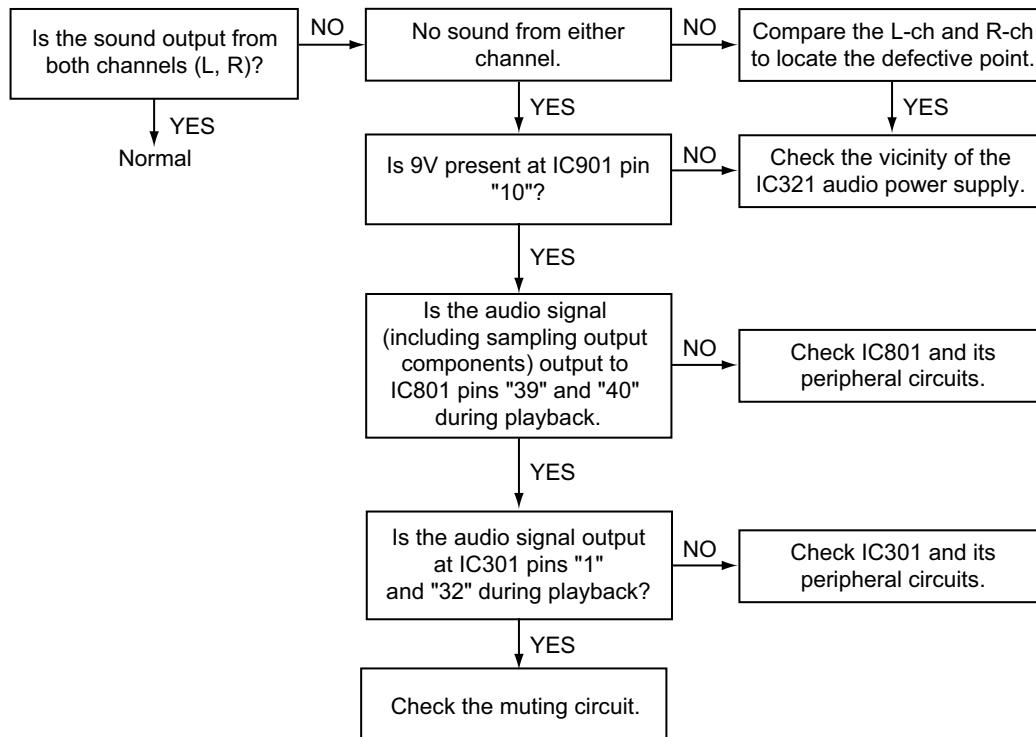
5.3 Spindle section



5.4 Tracking section



5.5 Signal processing section



5.6 Maintenance of laser pickup

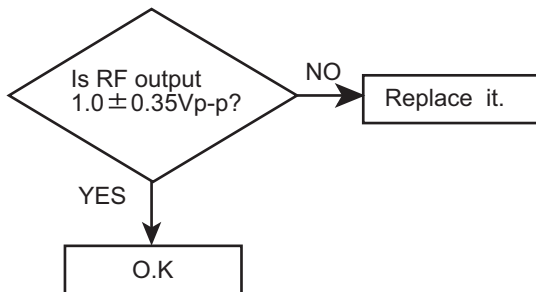
(1) Cleaning the pick up lens

Before you replace the pick up, please try to clean the lens with a alcohol soaked cotton swab.

(2) Life of the laser diode

When the life of the laser diode has expired, the following symptoms will appear.

- The level of RF output (EFM output: amplitude of eye pattern) will be low.

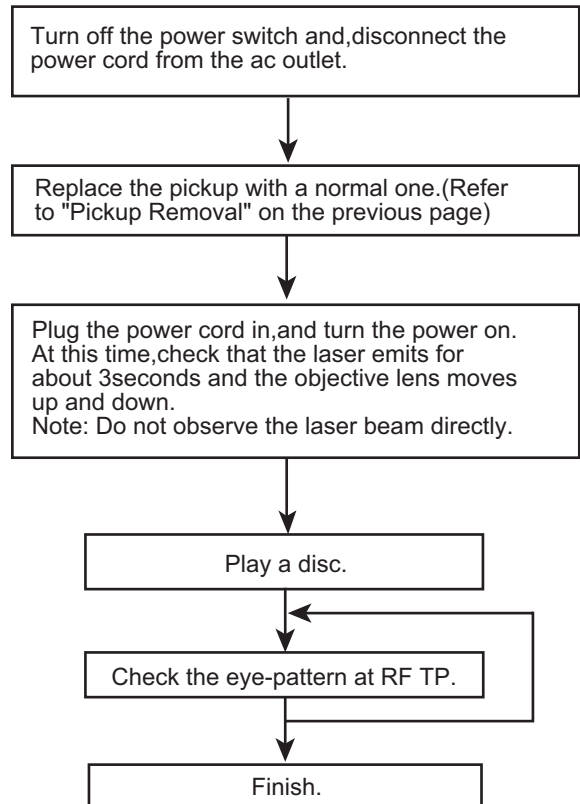


(3) Semi-fixed resistor on the APC PC board

The semi-fixed resistor on the APC printed circuit board which is attached to the pickup is used to adjust the laser power. Since this adjustment should be performed to match the characteristics of the whole optical block, do not touch the semi-fixed resistor.

If the laser power is lower than the specified value, the laser diode is almost worn out, and the laser pickup should be replaced. If the semi-fixed resistor is adjusted while the pickup is functioning normally, the laser pickup may be damaged due to excessive current.

5.7 Replacement of laser pickup





JVC

VICTOR COMPANY OF JAPAN, LIMITED

AV & MULTIMEDIA COMPANY MOBILE ENTERTAINMENT CATEGORY 10-1,1chome,Ohwatari-machi,Maebashi-city,371-8543,Japan

(No.49871)



Printed in Japan
WPC

JVC

SCHEMATIC DIAGRAMS

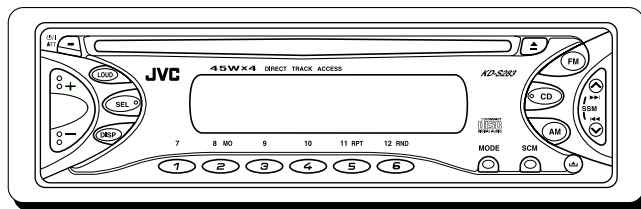
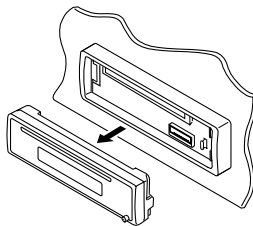
CD RECEIVER

KD-S283

CD-ROM No.SML200310

Area suffix

UF ----- China




COMPACT
disc
DIGITAL AUDIO

Contents

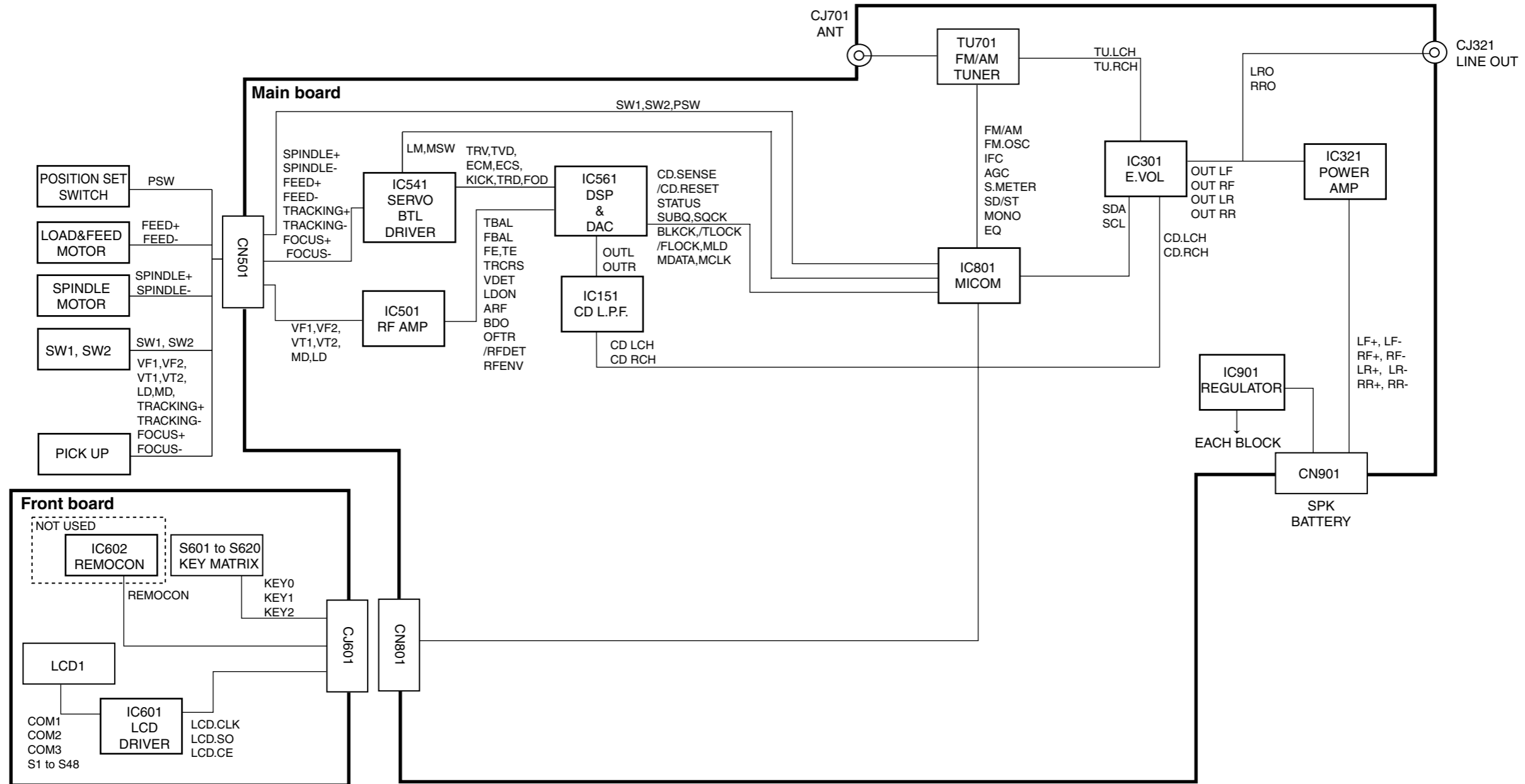
Block diagram	2-1
Standard schematic diagrams	2-2
Printed circuit boards	2-5 to 6

Safety precaution

 **CAUTION** Burrs formed during molding may be left over on some parts of the chassis. Therefore, pay attention to such burrs in the case of performing repair of this system.

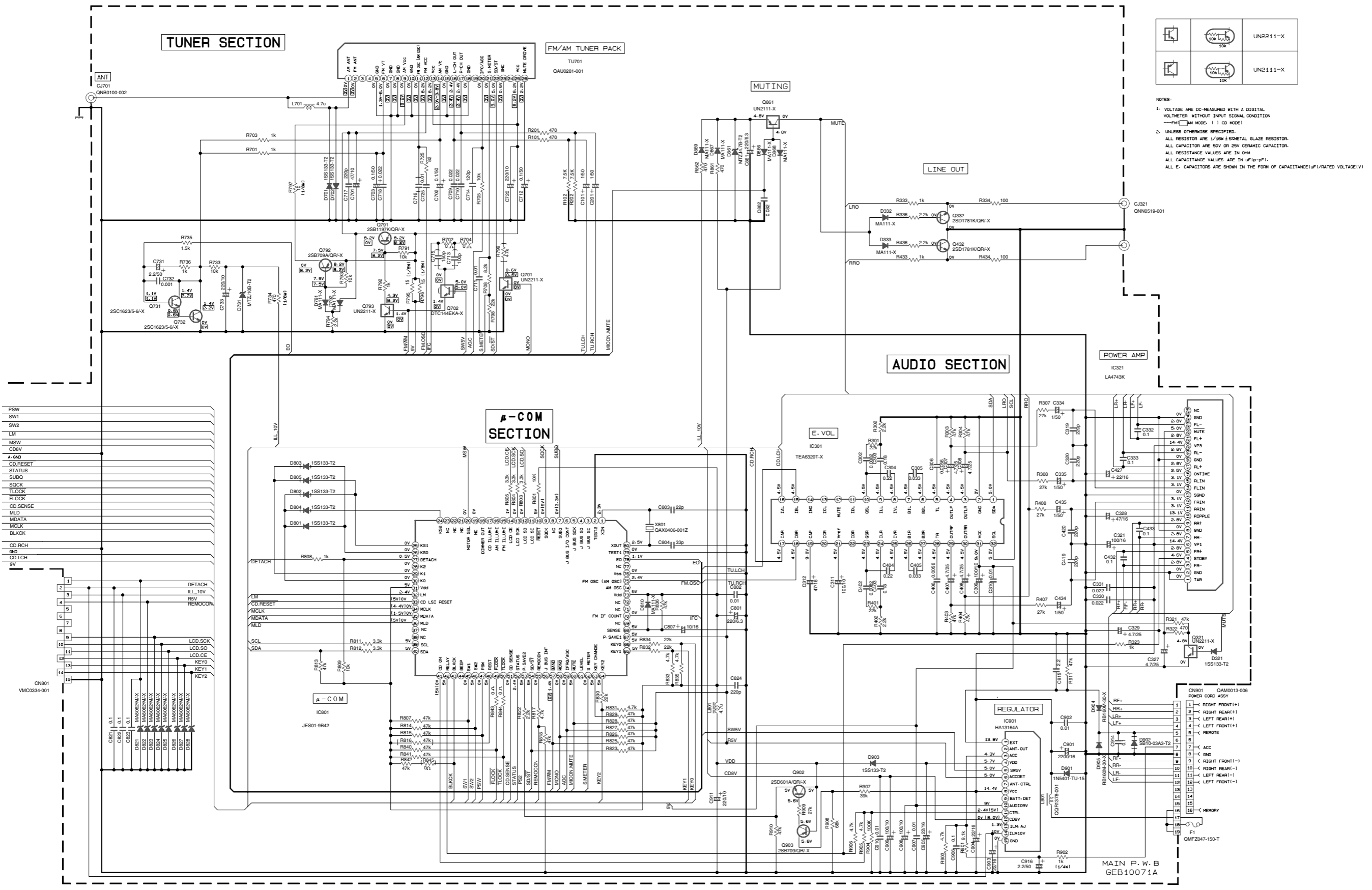
 **CAUTION** Please use enough caution not to see the beam directly or touch it in case of an adjustment or operation check.

Block diagram



Standard schematic diagrams

■ Main amplifier section

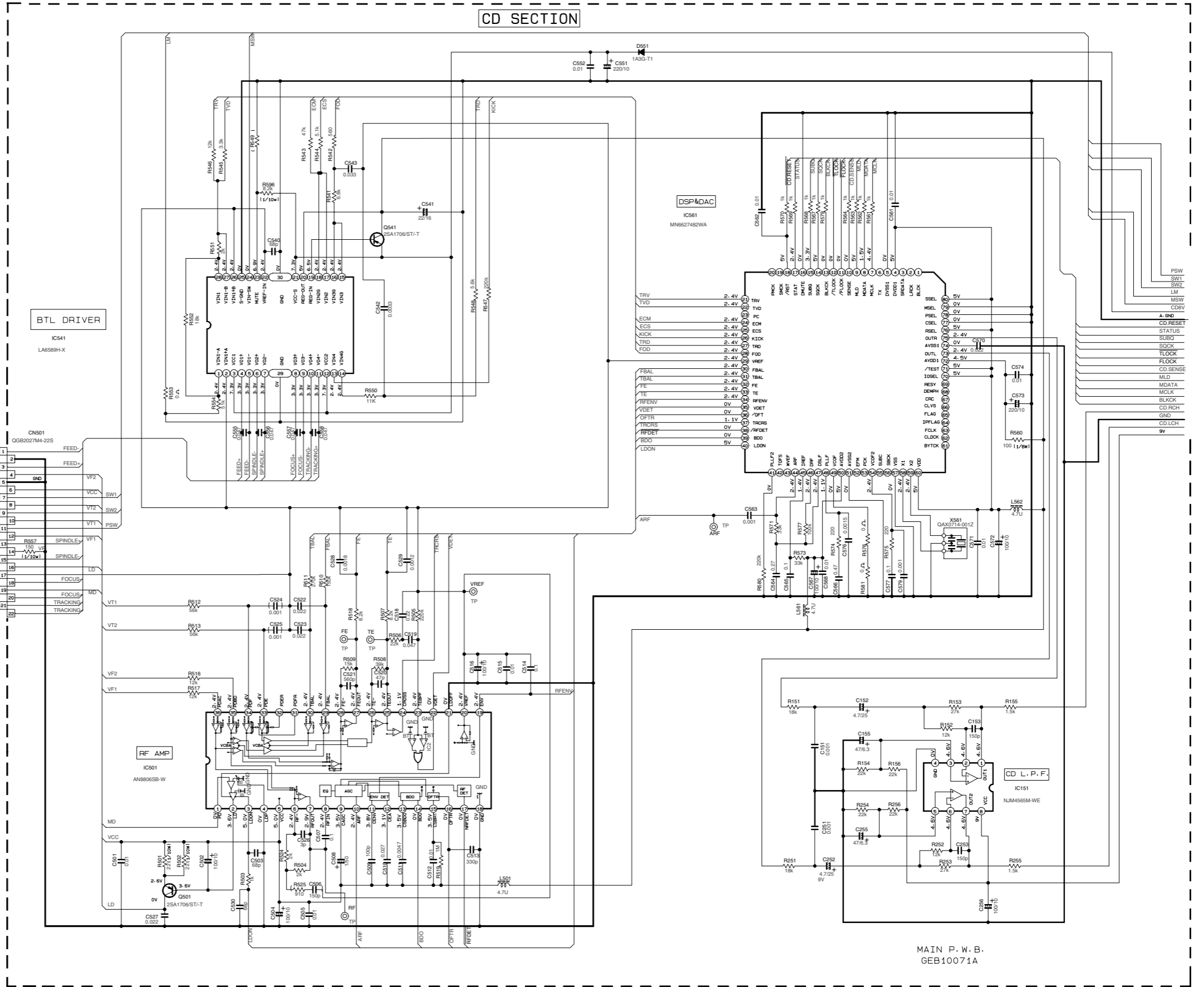
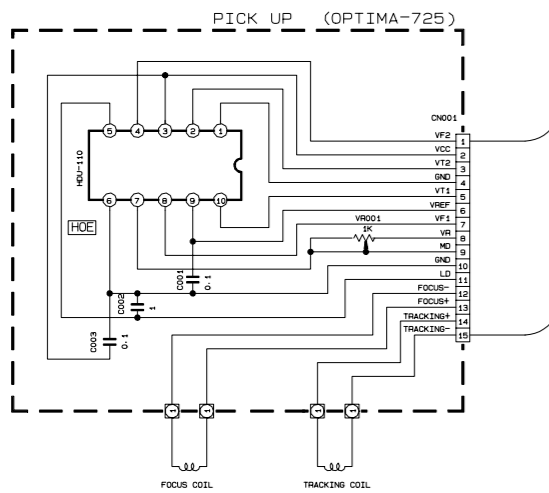
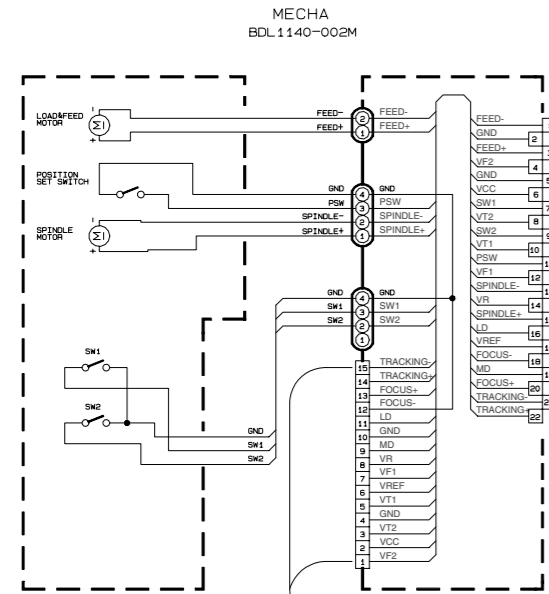


	UN2111-X
	UN2111-X

NOTES:
 1. VOLTAGE ARE DC-MEASURED WITH A DIGITAL VOLT-METER WITHOUT INPUT SIGNAL CONDITION
 —FM () AM MODE- () CD MODE!
 2. UNLESS OTHERWISE SPECIFIED:
 ALL RESISTOR ARE 1/16W ±0.5% METAL GLAZE RESISTOR.
 ALL CAPACITOR ARE 50V OR 25V CERAMIC CAPACITOR.
 ALL RESISTANCE VALUES ARE IN OHM!
 ALL CAPACITANCE VALUES ARE IN UF(μF).
 ALL E. CAPACITORS ARE SHOWN IN THE FORM OF CAPACITANCE(UF)/RATED VOLTAGE(V)

■ CD servo control section

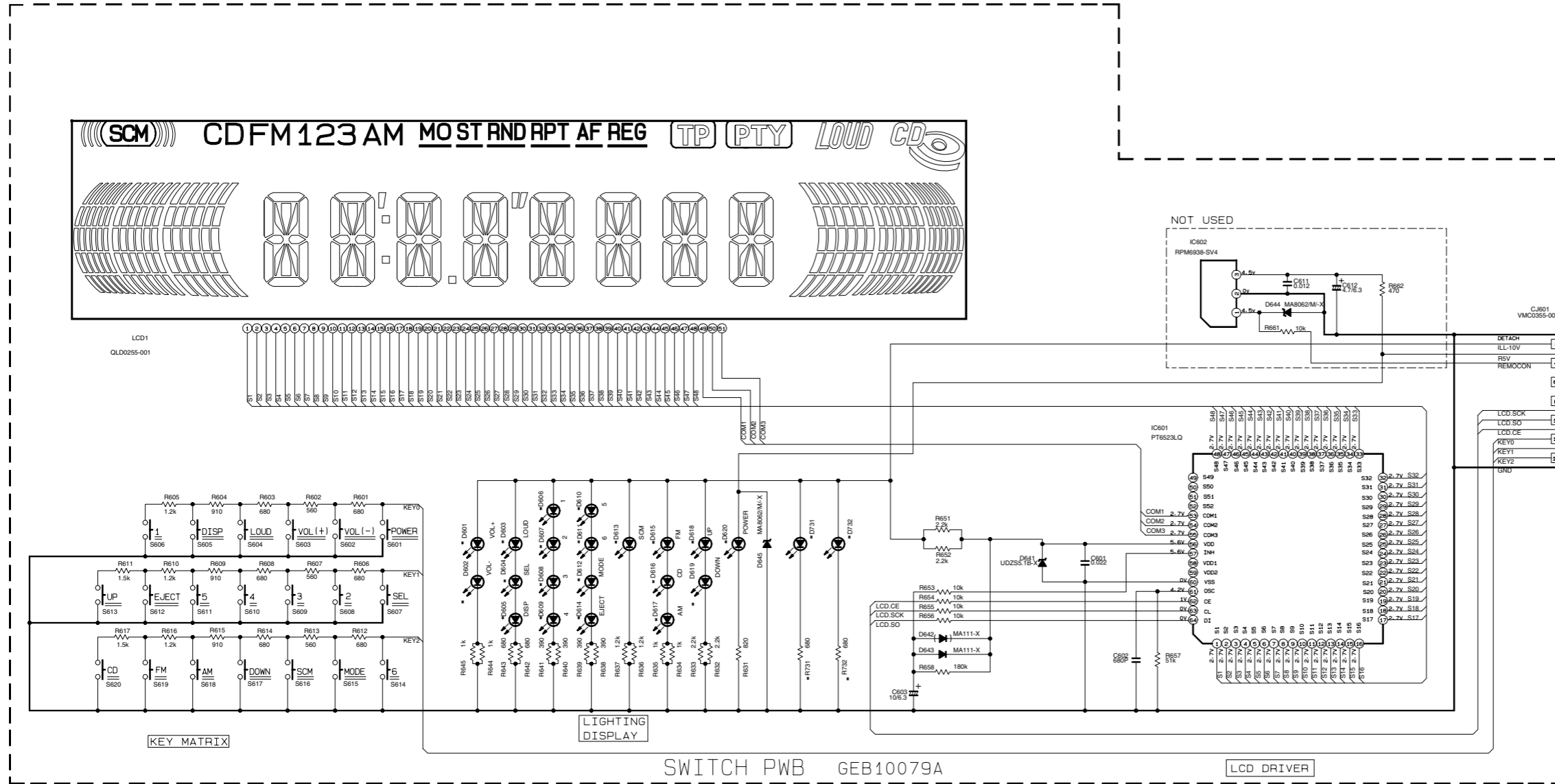
CD SECTION



NOTE 1 - VOLTAGE ARE DC-MEASURED WITH DIGITAL VOLTMETER WITHOUT INPUT SIGNAL CONDITION
--- CD MODE
2 - UNLESS OTHERWISE SPECIFIED:
ALL RESISTORS ARE 1/16W±5% METAL GLAZE RESISTOR.
ALL CAPACITORS ARE 50V OR 25V CERAMIC CAPACITOR.
ALL RESISTANCE VALUES ARE IN OHM.
ALL CAPACITANCE VALUES ARE IN pF(=10⁻¹²).
3 - P. CAPACITORS ARE 50V OR 25V CERAMIC CAPACITOR (P. CAPACITANCE VALUES ARE IN pF(=10⁻¹²)).

MAIN P. W. B.
GEB10071A

■ LCD & Key control section



FRONT CIRCUIT BOARD SECTION

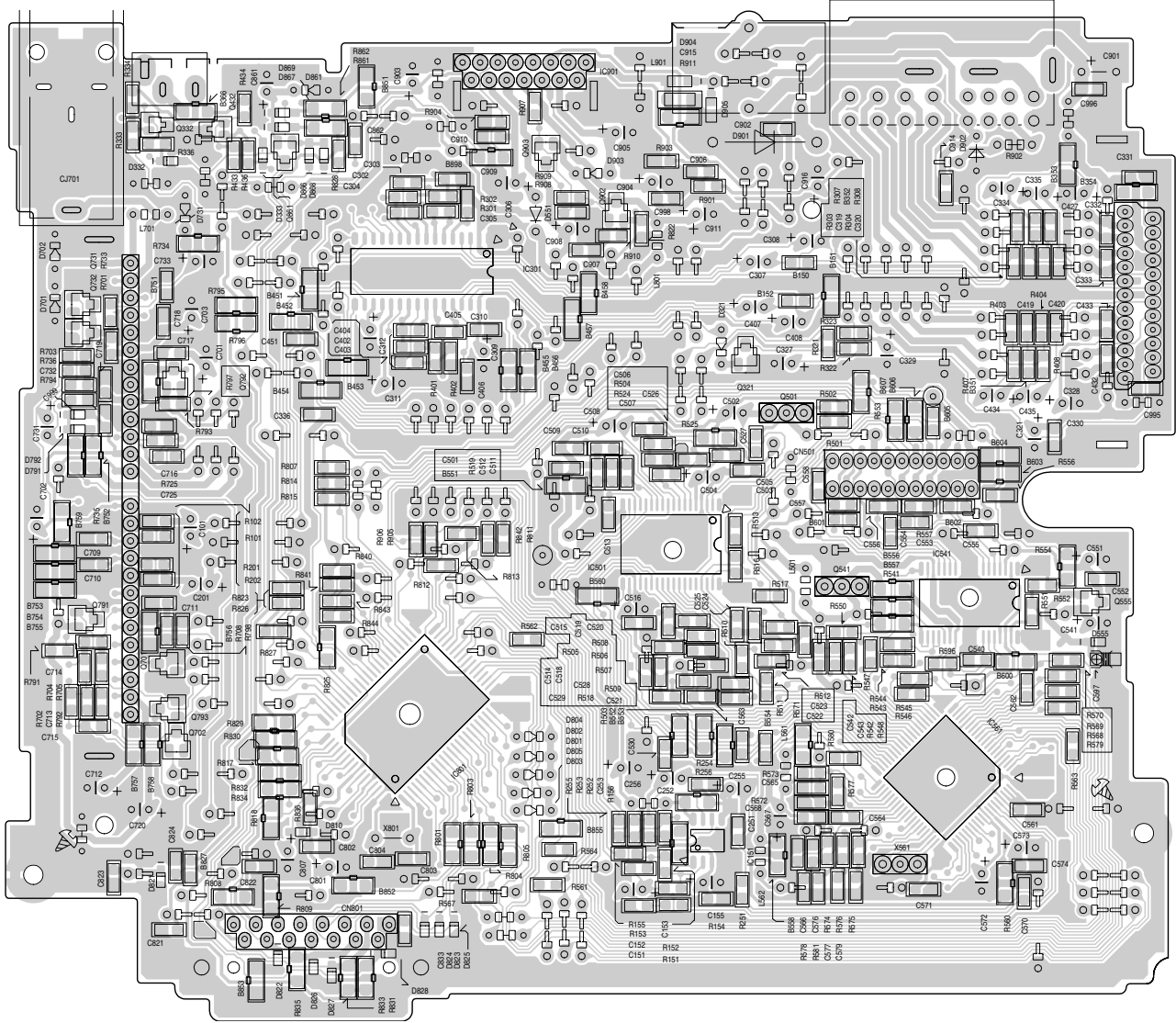
REMARKS	IC-5283UFC
D731 D732	NSP431GBS/B2RS/
D614-D619	SML-310VT/JK/-X
D620	SML-310LT/MW/-X
D613	SML-310VT/JK/-X
S601-S620	NSW0066-001X
R731 R732	NPS181J-391X

- NOTES
1. VOLTAGES ARE DC-MEASURED WITH A DIGITAL VOLT METER WITHOUT INPUT SIGNAL.
 2. UNLESS OTHERWISE SPECIFIED, ALL RESISTOR ARE 1/16W +/-5% METAL GLAZE RESISTOR. ALL CAPACITORS ARE 50V OR 25V CERAMIC CAPACITOR. ALL RESISTANCE VALUES ARE IN OHM. ALL CAPACITANCE VALUES ARE IN UF(PPHF). ALL E-CAPACITORS ARE SHOWN IN THE FORM OF CAPACITANCE (UF1/RATED VOLTAGEV).

Printed circuit boards

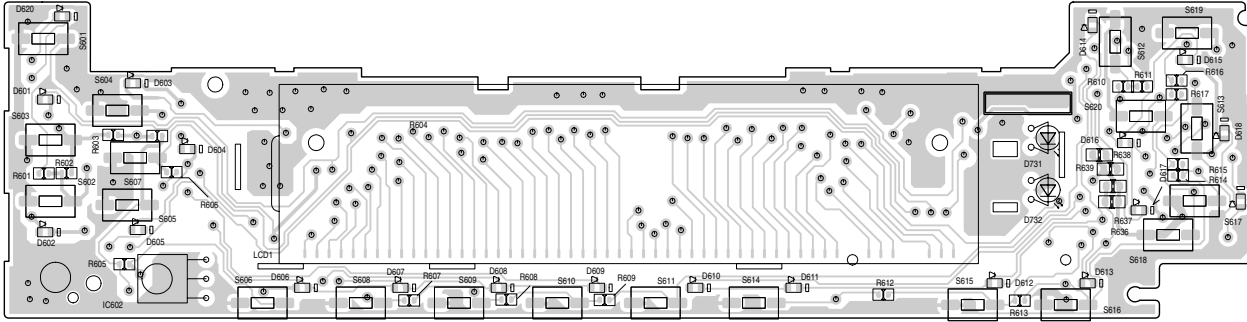
■ Main board

Reverse side

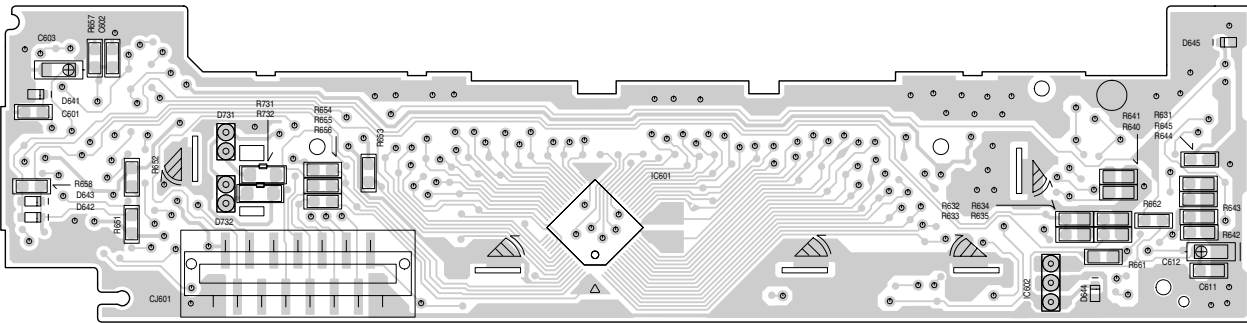


■ Front board

Forward side



Reverse side



< MEMO >

JVC

VICTOR COMPANY OF JAPAN, LIMITED

AV & MULTIMEDIA COMPANY MOBILE ENTERTAINMENT CATEGORY 10-1,1chome,Ohwatari-machi,Maebashi-city,371-8543,Japan

(No.49871SCH)

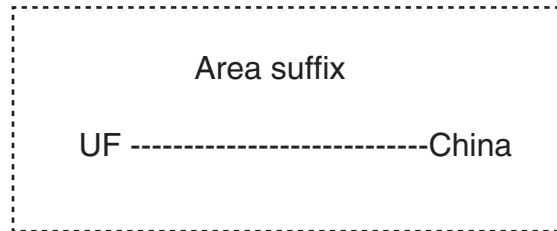


Printed in Japan
WPC

PARTS LIST

[KD-S283]

* All printed circuit boards and its assemblies are not available as service parts.

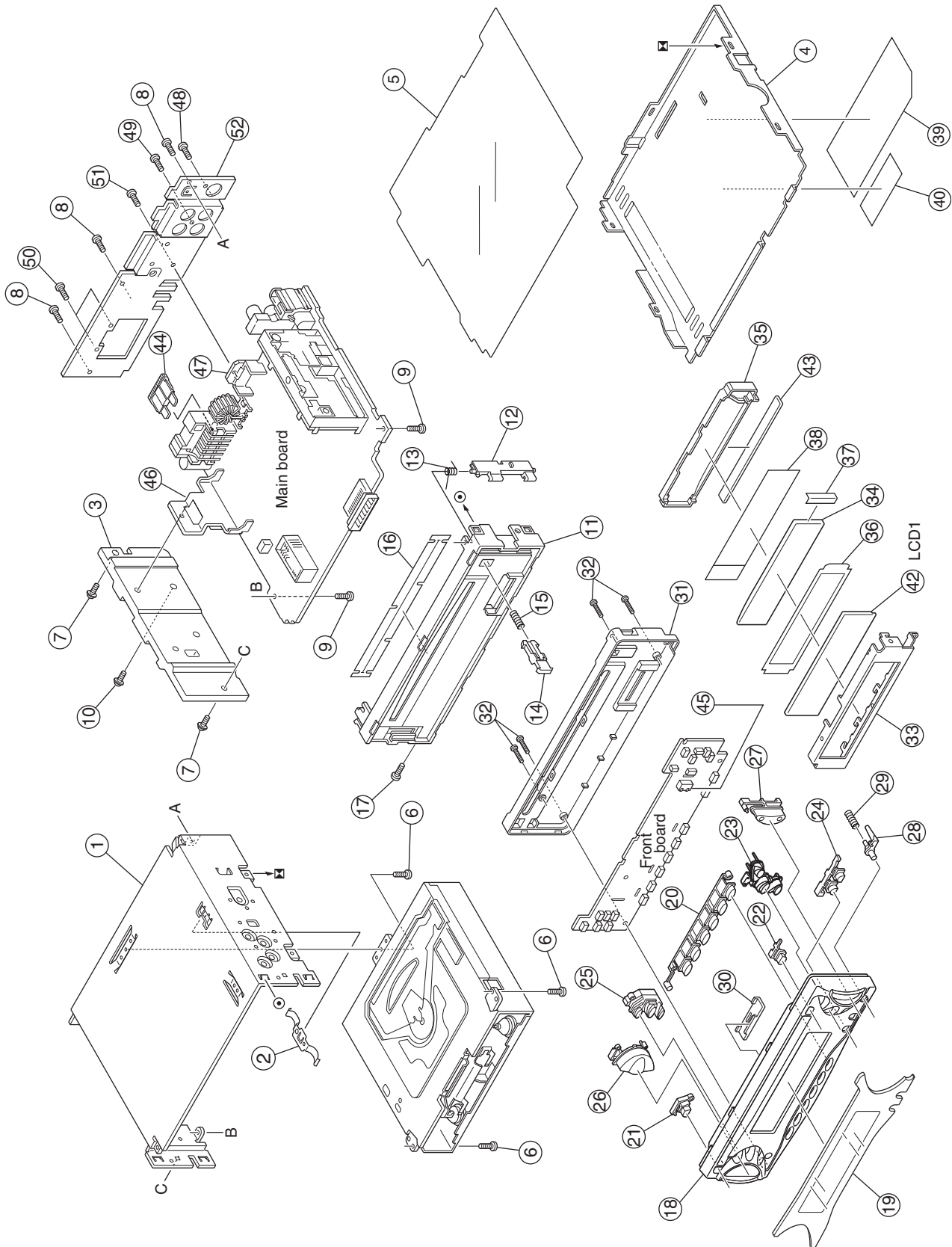


- Contents -

Exploded view of general assembly and parts list (Block No.M1)	3- 2
CD mechanism assembly and parts list (Block No.MB)	3- 4
Electrical parts list (Block No.01~02)	3- 6
Packing materials and accessories parts list (Block No.M3)	3-10

Exploded view of general assembly and parts list

Block No. M 1 M M



General assembly

Block No. [M][1][M][M]

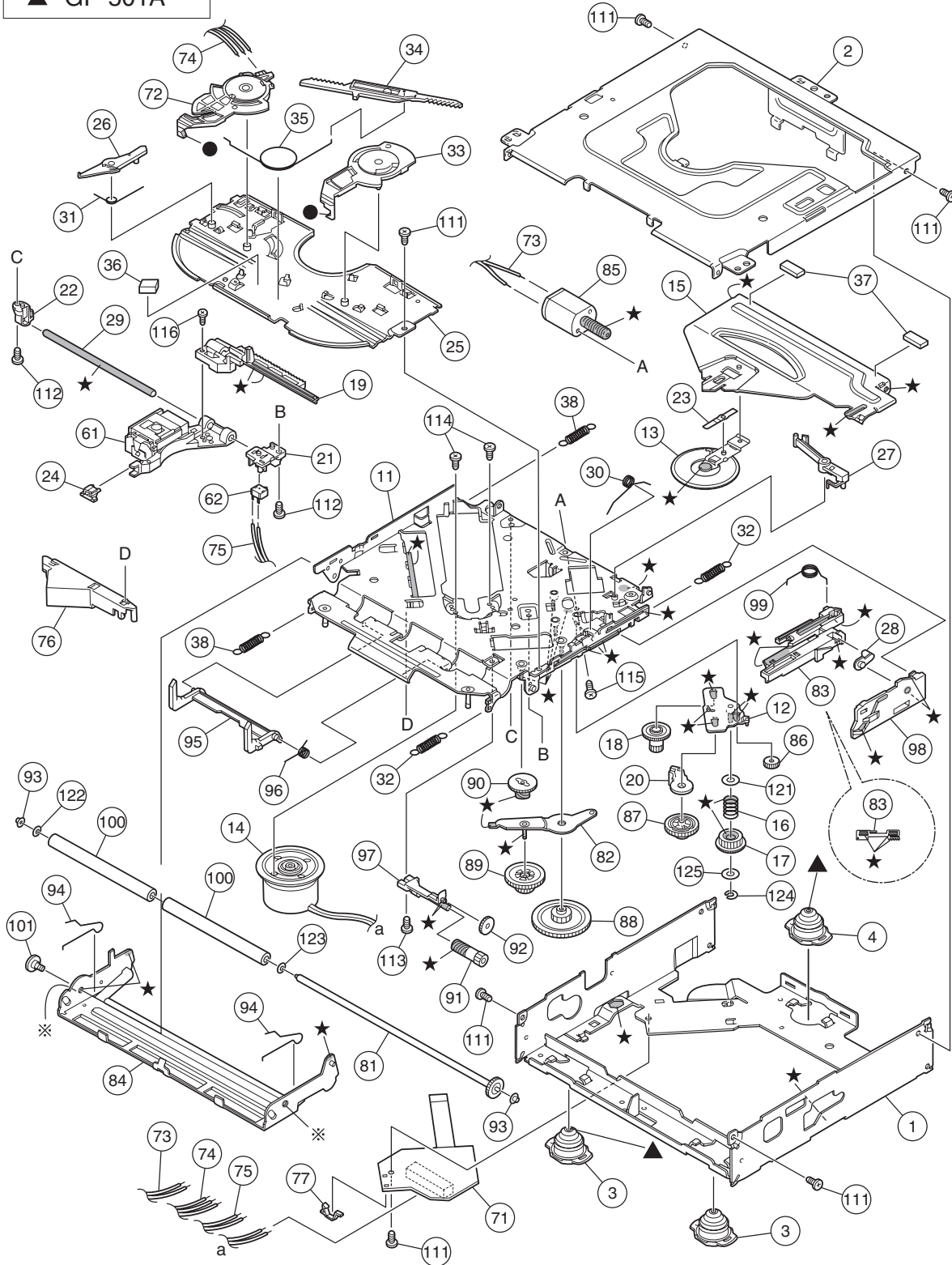
△ Symbol No.	Part No.	Part Name	Description	Local
1	GE10043-310A	TOP CHASSIS		
2	GE40135-201A	EARTH PLATE		
3	GE30938-203A	SIDE PANEL		
4	GE30393-202A	BOTTOM COVER		
5	FSMA3004-303	INSULATOR		
6	QYSDST2604Z	SCREW	2.6mm x 4mm(x3)	
7	FSKZ4005-001	SCREW	(x2)	
8	QYSDST2604Z	SCREW	2.6mm x 4mm(x3)	
9	QYSDST2606Z	SCREW	2.6mm x 6mm(x2)	
10	QYSDST2610Z	SCREW	2.6mm x 10mm	
11	GE10056-001A	FRONT CHASSIS		
12	GE30583-001A	LOCK LEVER		
13	FSKW4005-003	TORSION SPRING		
14	FSXP3026-002	RLS KNOB		
15	FSKW3002-015	COMP.SPRING		
16	GE40140-002A	BLIND		
17	QYSDST2004M	MINI SCREW	2mm x 4mm	
18	GE10037-004A	FRONT PANEL		
19	GE30300-027A	FINDER ASSY		
20	GE20119-001A	PRESET BUTTON		
21	GE30304-001A	POWER BUTTON		
22	GE30305-001A	EJECT BUTTON		
23	GE20131-301A	D.FUNC BUTTON		
24	GE30307-001A	SND.FUNC.BUTTON		
25	GE20130-301A	PUSH BUTTON		
26	GE20118-002A	+/- BUTTON		
27	GE20120-001A	UP/DOWN BUTTON		
28	GE30306-001A	DETACH BUTTON		
29	FSKW3002-012	COMP.SPRING		
30	GE30117-001A	LIGHT LENS		
31	GE10055-003A	REAR COVER		
32	VKZ4777-001	MINI SCREW	(x4)	
33	GE30302-003A	LCD CASE		
34	FSJK3025-001	LCD LENS		
35	GE30301-001A	LENS CASE		
36	GE40142-005A	LIGHTING SHEET		
37	FSYH4071-002	LIGHTING SHEET		
38	FSYH4070-005	LIGHTING SHEET		
39	GE30978-002A	NAME PLATE		
40	LV41843-002A	LASER CAUTION		
42	QLD0255-001	LCD MODULE		
43	QNZ0442-001	LCD CONNECTOR		
△ 44	QMFZ047-150-T	FUSE	15A	
45	GE30854-001A	LED HOLDER		
46	GE40172-202A	IC BRACKET		
47	GE40124-001A	REG BRACKET		
48	QYSDST2606Z	SCREW	2.6mm x 6mm	
49	QYSDSF2606Z	SCREW	2.6mm x 6mm	
50	QYSDSF2606Z	SCREW	2.6mm x 6mm(x2)	
51	QYSDST2606Z	SCREW	2.6mm x 6mm	
52	GE30912-208A	REAR BRACKET		

CD mechanism assembly and parts list

Block No. M B M M

TN-2001-1011

- Grease
- ★ TNG-87
 - ※ GP-501MK
 - CFD-005Z
 - ▲ GP-501A



CD mechanism

Block No. [M][B][M][M]

△ Symbol No.	Part No.	Part Name	Description	Local
1	30320101T	FRAME		
2	30320102T	TOP COVER		
3	30320115T	DANPER F		
4	30320116T	DANPER R		
11	303205505T	CHASSIS RIVET		
12	303205503T	CHANGE P. RVT A		
13	303205301T	CLAMPER ASS'Y		
14	303205302T	SPINDLE MOTOR A		
15	30320502T	CLAMPER ARM		
16	30320503T	CHANGE GEAR SPG		
17	30320505T	CHANGE GEAR 2		
18	30320506T	FEED GEAR		
19	30320507T	FEED RACK		
20	30320509T	CHANGE LOCK RAR		
21	30320510T	FEED SW HOLDER		
22	30320511T	PU SHAFT HOLDER		
23	30320513T	CLAMPER SUB SPG		
24	30320514T	FD SUB HOLDER		
25	30320518T	TOP PLATE		
26	30320519T	SELECT LOCK ARM		
27	30320520T	TRIGGER ARM		
28	30320521T	SLIDE HOOK		
29	30320522T	PU SHAFT		
30	30320525T	CLAMPER ARM SPG		
31	30320526T	SELECT L ARM SP		
32	30320538T	SUSPENSION SP R		
33	30320529T	SELECT ARM R		
34	30320530T	LINK PLATE		
35	30320531T	LINK PLATE SPG		
36	30320523T	CUSHION F		
37	30320524T	CUSHION R		
38	30320539T	SUSPENSION SP L		
61	69011614T	PICKUP OPT-725		
62	64180406T	DET SW ESE22		
71	303210301T	CONN PWB ASS'Y		
72	30321002T	MODE SW		
73	30321003T	LOAD MOTOR WIRE		
74	30321005T	MODE SW WIRE		
75	30321009T	SL WIRE		
76	30321011T	WIRE HOLDER		
77	19501403T	WIRE CLUMPER		
81	303211301T	ROLLER SHAFT AS		
82	303211501T	L GEAR PLATE RV		
83	303211302T	LOADING PLATE A		
84	303211502T	LOCK ARM RV ASS		
85	303211303T	L/F MOTOR ASS'Y		
86	30321101T	LOADING GEAR 1		
87	30321102T	LOADING GEAR 2		
88	30321103T	LOADING GEAR 3		
89	30321104T	LOADING GEAR 4		
90	30321105T	LOADING GEAR 5		
91	30321106T	LOADING GEAR 6		
92	30321107T	LOADING GEAR 7		
93	30321111T	ROLLER GUIDE		
94	30321114T	ROLLER GUIDE SP		
95	30321116T	DISC STOPPER AR		
96	30321117T	DISC ST ARM SPG		
97	30321118T	LD GEAR BRACKET		
98	30321125T	L SIDE PLATE		
99	30321131T	LOAD PLATE SPG		
100	30321133T	LDG ROLLER		
101	18211223T	COLLAR SCREW		
111	9P0420031T	SCREW		
112	9P0420041T	TAP.SCREW		
113	9B0320041T	SCREW		
114	9C0117183T	SCREW		
115	9C0120203T	SCREW		
116	9C0317503T	SCREW		
121	9W0130170T	PW 3.5X8X0.3		
122	9W0513060T	HL WASHER		
123	9W0710070T	L WASHER		
124	9E0100152T	E RING		
125	9W0113020T	PW 2.1X4X0.13		

Electrical parts list

Main board

Block No. [0][1][0][0]

△ Symbol No.	Part No.	Part Name	Description	Local
IC151	NJM4565M-WE	IC	CD L.P.F	
IC301	TEA6320T-X	IC	E.volume	
IC321	LA4743K	POWER IC	Power amp.	
IC501	AN8806SB-W	IC	RF & amp.	
IC541	LA6589H-X	BTL DRIVER IC	BTL driver	
IC561	MN6627482WA	IC	DSP & DAC	
IC801	JES01-9B42	IC	Main micron	
IC901	HA13164A	IC	Regulator	
Q321	UN2211-X	TRANSISTOR		
Q332	2SD1781K/QR/-X	TRANSISTOR		
Q432	2SD1781K/QR/-X	TRANSISTOR		
Q501	2SA1706/ST/-T	TRANSISTOR		
Q541	2SA1706/ST/-T	TRANSISTOR		
Q701	UN2211-X	TRANSISTOR		
Q731	2SC1623/5-6/-X	TRANSISTOR		
Q732	2SC1623/5-6/-X	TRANSISTOR		
Q791	2SB1197K/QR/-X	TRANSISTOR		
Q792	2SB709A/QR/-X	TRANSISTOR		
Q793	UN2211-X	TRANSISTOR		
Q861	UN2111-X	TRANSISTOR		
Q902	2SD601A/QR/-X	TRANSISTOR		
Q903	2SB709A/QR/-X	TRANSISTOR		
D321	1SS133-T2	DIODE		
D332	MA111-X	SI DIODE		
D333	MA111-X	SI DIODE		
D551	1A3G-T1	SI DIODE		
D701	1SS133-T2	DIODE		
D702	1SS133-T2	DIODE		
D731	MTZJ10B-T2	Z DIODE		
D791	MA111-X	SI DIODE		
D792	MA111-X	SI DIODE		
D801	1SS133-T2	DIODE		
D810	MA111-X	SI DIODE		
D821	MA8062/M/-X	Z DIODE		
D822	MA8062/M/-X	Z DIODE		
D823	MA8062/M/-X	Z DIODE		
D824	MA8062/M/-X	Z DIODE		
D825	MA8062/M/-X	Z DIODE		
D826	MA8062/M/-X	Z DIODE		
D827	MA8062/M/-X	Z DIODE		
D828	MA8062/M/-X	Z DIODE		
D861	MTZJ4.7B-T2	Z DIODE		
D866	MA111-X	SI DIODE		
D867	MA111-X	SI DIODE		
D868	MA111-X	SI DIODE		
D869	MA111-X	SI DIODE		
D901	1N5401-TU-15	DIODE		
D903	1SS133-T2	DIODE		
D904	RB160M-30-X	SB DIODE		
D905	RB160M-30-X	SB DIODE		
C101	QERF1HM-105Z	E CAPACITOR	1uF 50V M	
C151	NCB31HK-102X	C CAPACITOR	1000pF 50V K	
C152	QEKJ1EM-475Z	E CAPACITOR	4.7uF 25V M	
C153	NDC31HJ-151X	C CAPACITOR	150pF 50V J	
C155	QEKJ0JM-476Z	E CAPACITOR	47uF 6.3V M	
C201	QERF1HM-105Z	E CAPACITOR	1uF 50V M	
C251	NCB31HK-102X	C CAPACITOR	1000pF 50V K	
C252	QERF1EM-475Z	E CAPACITOR	4.7uF 25V M	
C253	NDC31HJ-151X	C CAPACITOR	150pF 50V J	
C255	QERF0JM-476Z	E CAPACITOR	47uF 6.3V M	
C256	QERF1AM-107Z	E CAPACITOR	100uF 10V M	
C302	NCB31HK-822X	C CAPACITOR	8200pF 50V K	
C303	NCB21CK-184X	C CAPACITOR	0.18uF 16V K	
C304	NCB21CK-224X	C CAPACITOR	0.22uF 16V K	
C305	NCB21HK-333X	C CAPACITOR	0.033uF 50V K	
C306	NCB31HK-562X	C CAPACITOR	5600pF 50V K	
C307	QERF1EM-475Z	E CAPACITOR	4.7uF 25V M	
C308	QERF1EM-475Z	E CAPACITOR	4.7uF 25V M	
C309	QEKJ1AM-107Z	E CAPACITOR	100uF 10V M	

△ Symbol No.	Part No.	Part Name	Description	Local
C310	NCB31HK-103X	C CAPACITOR	0.01uF 50V K	
C311	QEKJ1AM-107Z	E CAPACITOR	100uF 10V M	
C312	QEKJ1CM-476Z	E CAPACITOR	47uF 16V M	
C319	NDC31HJ-221X	C CAPACITOR	220pF 50V J	
C320	NDC31HJ-221X	C CAPACITOR	220pF 50V J	
C321	QERF1CM-107Z	E CAPACITOR	100uF 16V M	
C327	QEKJ1EM-475Z	E CAPACITOR	4.7uF 25V M	
C328	QEKJ1CM-476Z	E CAPACITOR	47uF 16V M	
C329	QEKJ1EM-475Z	E CAPACITOR	4.7uF 25V M	
C330	NCB31HK-223X	C CAPACITOR	0.022uF 50V K	
C331	NCB31HK-223X	C CAPACITOR	0.022uF 50V K	
C332	NCB31EK-104X	C CAPACITOR	0.1uF 25V K	
C333	NCB31EK-104X	C CAPACITOR	0.1uF 25V K	
C334	QERF1HM-105Z	E CAPACITOR	1uF 50V M	
C335	QERF1HM-105Z	E CAPACITOR	1uF 50V M	
C402	NCB31HK-822X	C CAPACITOR	8200pF 50V K	
C403	NCB21CK-184X	C CAPACITOR	0.18uF 16V K	
C404	NCB21CK-224X	C CAPACITOR	0.22uF 16V K	
C405	NCB21HK-333X	C CAPACITOR	0.033uF 50V K	
C406	NCB31HK-562X	C CAPACITOR	5600pF 50V K	
C407	QERF1EM-475Z	E CAPACITOR	4.7uF 25V M	
C408	QERF1EM-475Z	E CAPACITOR	4.7uF 25V M	
C419	NDC31HJ-221X	C CAPACITOR	220pF 50V J	
C420	NDC31HJ-221X	C CAPACITOR	220pF 50V J	
C427	QEKJ1CM-226Z	E CAPACITOR	22uF 16V M	
C432	NCB31EK-104X	C CAPACITOR	0.1uF 25V K	
C433	NCB31EK-104X	C CAPACITOR	0.1uF 25V K	
C434	QERF1HM-105Z	E CAPACITOR	1uF 50V M	
C435	QERF1HM-105Z	E CAPACITOR	1uF 50V M	
C501	NCB31EK-103X	C CAPACITOR	0.01uF 25V K	
C502	QEKJ1AM-107Z	E CAPACITOR	100uF 10V M	
C503	NCS31HJ-680X	C CAPACITOR	68pF 50V J	
C504	QEKJ1AM-107Z	E CAPACITOR	100uF 10V M	
C505	NCB31EK-103X	C CAPACITOR	0.01uF 25V K	
C507	NCB31EK-104X	C CAPACITOR	0.1uF 25V K	
C508	QEKJ1HM-105Z	E CAPACITOR	1uF 50V M	
C509	NDC31HJ-101X	C CAPACITOR	100pF 50V J	
C510	NCB31EK-273X	C CAPACITOR	0.027uF 25V K	
C511	NCB31HK-472X	C CAPACITOR	4700pF 50V K	
C512	NCB31HK-103X	C CAPACITOR	0.01uF 50V K	
C513	NDC31HJ-331X	C CAPACITOR	330pF 50V J	
C514	NCB31EK-104X	C CAPACITOR	0.1uF 25V K	
C515	NCB31EK-103X	C CAPACITOR	0.01uF 25V K	
C516	QEKJ1AM-107Z	E CAPACITOR	100uF 10V M	
C518	NCB31AK-224X	C CAPACITOR	0.22uF 10V K	
C519	NCB31EK-473X	C CAPACITOR	0.047uF 25V K	
C520	NDC31HJ-470X	C CAPACITOR	47pF 50V J	
C521	NDC31HJ-561X	C CAPACITOR	560pF 50V J	
C522	NCB31HK-223X	C CAPACITOR	0.022uF 50V K	
C523	NCB31HK-223X	C CAPACITOR	0.022uF 50V K	
C526	NDC31HJ-3R0X	C CAPACITOR	3pF 50V J	
C527	NCB31EK-223X	C CAPACITOR	0.022uF 25V K	
C528	NCB31HK-182X	C CAPACITOR	1800pF 50V K	
C529	NCB31HK-122X	C CAPACITOR	1200pF 50V K	
C530	NDC31HJ-680X	C CAPACITOR	68pF 50V J	
C540	NCS31HJ-680X	C CAPACITOR	68pF 50V J	
C541	QERF1CM-226Z	E CAPACITOR	22uF 16V M	
C542	NCB31HK-332X	C CAPACITOR	3300pF 50V K	
C543	NCB31EK-333X	C CAPACITOR	0.033uF 25V K	
C551	QERF1AM-227Z	E CAPACITOR	220uF 10V M	
C552	NCB31EK-103X	C CAPACITOR	0.01uF 25V K	
C555	NCB31EK-473X	C CAPACITOR	0.047uF 25V K	
C556	NCB31EK-473X	C CAPACITOR	0.047uF 25V K	
C557	NCB31EK-473X	C CAPACITOR	0.047uF 25V K	
C558	NCB31EK-473X	C CAPACITOR	0.047uF 25V K	
C561	NCB31EK-103X	C CAPACITOR	0.01uF 25V K	
C562	NCB31EK-103X	C CAPACITOR	0.01uF 25V K	
C563	NCB31HK-102X	C CAPACITOR	1000pF 50V K	
C564	NCB21CK-274X	C CAPACITOR	0.27uF 16V K	
C565	NCB31EK-104X	C CAPACITOR	0.1uF 25V K	
C566	NCB31AK-474X	C CAPACITOR	0.47uF 10V K	
C567	QERF1AM-107Z	E CAPACITOR	100uF 10V M	
C568	NCB31EK-103X	C CAPACITOR	0.01uF 25V K	
C570	NCB31HK-222X	C CAPACITOR	2200pF 50V K	
C571	NCB31EK-103X	C CAPACITOR	0.01uF 25V K	
C572	QEKJ1AM-107Z	E CAPACITOR	100uF 10V M	

△ Symbol No.	Part No.	Part Name	Description	Local	△ Symbol No.	Part No.	Part Name	Description	Local
C573	QERF1AM-227Z	E CAPACITOR	220uF 10V M		R407	NRSA63J-273X	MG RESISTOR	27kΩ 1/16W J	
C574	NCB31EK-103X	C CAPACITOR	0.01uF 25V K		R408	NRSA63J-273X	MG RESISTOR	27kΩ 1/16W J	
C576	NCB31HK-152X	C CAPACITOR	1500pF 50V K		R433	NRSA63J-102X	MG RESISTOR	1kΩ 1/16W J	
C577	NCB31EK-104X	C CAPACITOR	0.1uF 25V K		R434	NRSA63J-101X	MG RESISTOR	100Ω 1/16W J	
C579	NCB31HK-102X	C CAPACITOR	1000pF 50V K		R436	NRSA63J-222X	MG RESISTOR	2.2kΩ 1/16W J	
C701	QERF1AM-476Z	E CAPACITOR	47uF 10V M		R501	NRSA02J-220X	MG RESISTOR	22Ω 1/10W J	
C702	QEKJ1HM-104Z	E CAPACITOR	0.1uF 50V M		R502	NRSA02J-220X	MG RESISTOR	22Ω 1/10W J	
C703	QERF1HM-104Z	E CAPACITOR	0.1uF 50V M		R503	NRS181J-102X	MG RESISTOR	1kΩ 1/8W J	
C709	NCB31EK-223X	C CAPACITOR	0.022uF 25V K		R504	NRSA63J-202X	MG RESISTOR	2kΩ 1/16W J	
C710	NCB31EK-223X	C CAPACITOR	0.022uF 25V K		R505	NRSA63J-224X	MG RESISTOR	220kΩ 1/16W J	
C711	NCB31EK-103X	C CAPACITOR	0.01uF 25V K		R506	NRSA63J-223X	MG RESISTOR	22kΩ 1/16W J	
C712	QEKJ1HM-104Z	E CAPACITOR	0.1uF 50V M		R507	NRSA63J-822X	MG RESISTOR	8.2kΩ 1/16W J	
C714	NCS31HJ-121X	C CAPACITOR	120pF 50V J		R508	NRSA63J-393X	MG RESISTOR	39kΩ 1/16W J	
C717	NDC31HJ-221X	C CAPACITOR	220pF 50V J		R509	NRSA63J-153X	MG RESISTOR	15kΩ 1/16W J	
C718	NCB31EK-223X	C CAPACITOR	0.022uF 25V K		R510	NRSA63J-154X	MG RESISTOR	150kΩ 1/16W J	
C720	QERF1AM-227Z	E CAPACITOR	220uF 10V M		R511	NRSA63J-274X	MG RESISTOR	270kΩ 1/16W J	
C725	NCB31EK-103X	C CAPACITOR	0.01uF 25V K		R512	NRSA63J-563X	MG RESISTOR	56kΩ 1/16W J	
C731	QERF1HM-225Z	E CAPACITOR	2.2uF 50V M		R513	NRSA63J-563X	MG RESISTOR	56kΩ 1/16W J	
C732	NCB31HK-102X	C CAPACITOR	1000pF 50V K		R516	NRSA63J-123X	MG RESISTOR	12kΩ 1/16W J	
C733	QERF1AM-227Z	E CAPACITOR	220uF 10V M		R517	NRSA63J-123X	MG RESISTOR	12kΩ 1/16W J	
C801	QEKJ0JM-227Z	E CAPACITOR	220uF 6.3V M		R518	NRSA63J-822X	MG RESISTOR	8.2kΩ 1/16W J	
C802	NCB31EK-103X	C CAPACITOR	0.01uF 25V K		R519	NRSA63J-105X	MG RESISTOR	1MΩ 1/16W J	
C803	NDC31HJ-220X	C CAPACITOR	22pF 50V J		R524	NRSA63J-202X	MG RESISTOR	2kΩ 1/16W J	
C804	NDC31HJ-330X	C CAPACITOR	33pF 50V J		R541	NRS181J-682X	MG RESISTOR	6.8kΩ 1/8W J	
C807	QERF1CM-106Z	E CAPACITOR	10uF 16V M		R542	NRSA63J-561X	MG RESISTOR	560Ω 1/16W J	
C821	NCB31EK-104X	C CAPACITOR	0.1uF 25V K		R543	NRSA63J-473X	MG RESISTOR	47kΩ 1/16W J	
C822	NCB31EK-104X	C CAPACITOR	0.1uF 25V K		R544	NRSA63J-512X	MG RESISTOR	5.1kΩ 1/16W J	
C823	NCB31EK-104X	C CAPACITOR	0.1uF 25V K		R545	NRSA63J-332X	MG RESISTOR	3.3kΩ 1/16W J	
C824	NCB31HK-221X	C CAPACITOR	220pF 50V K		R546	NRSA63J-123X	MG RESISTOR	12kΩ 1/16W J	
C861	QEKJ0JM-227Z	E CAPACITOR	220uF 6.3V M		R547	NRSA63J-224X	MG RESISTOR	220kΩ 1/16W J	
C862	NCB31EK-823X	C CAPACITOR	0.082uF 25V K		R548	NRSA63J-562X	MG RESISTOR	5.6kΩ 1/16W J	
C901	QEZ0615-228	E CAPACITOR	2200uF		R550	NRSA63J-113X	MG RESISTOR	11kΩ 1/16W J	
C902	NCB31HK-103X	C CAPACITOR	0.01uF 50V K		R551	NRSA63J-202X	MG RESISTOR	2kΩ 1/16W J	
C903	QEKJ1CM-226Z	E CAPACITOR	22uF 16V M		R552	NRSA63J-183X	MG RESISTOR	18kΩ 1/16W J	
C904	QERF1CM-226Z	E CAPACITOR	22uF 16V M		R553	NRS181J-0R0X	MG RESISTOR	0Ω 1/8W J	
C905	QERF1CM-226Z	E CAPACITOR	22uF 16V M		R554	NRS181J-513X	MG RESISTOR	51kΩ 1/8W J	
C906	NCB31EK-104X	C CAPACITOR	0.1uF 25V K		R557	NRSA02J-151X	MG RESISTOR	150Ω 1/10W J	
C907	NCB31HK-103X	C CAPACITOR	0.01uF 50V K		R560	NRS181J-101X	MG RESISTOR	680Ω 1/8W J	
C908	QERF1AM-107Z	E CAPACITOR	100uF 10V M		R561	NRSA63J-102X	MG RESISTOR	1kΩ 1/16W J	
C909	QERF1AM-107Z	E CAPACITOR	100uF 10V M		R562	NRSA63J-102X	MG RESISTOR	1kΩ 1/16W J	
C910	NCB31HK-103X	C CAPACITOR	0.01uF 50V K		R563	NRSA63J-102X	MG RESISTOR	1kΩ 1/16W J	
C911	QERF1AM-227Z	E CAPACITOR	220uF 10V M		R564	NRSA63J-102X	MG RESISTOR	1kΩ 1/16W J	
C914	NCB31EK-104X	C CAPACITOR	0.1uF 25V K		R567	NRSA63J-102X	MG RESISTOR	1kΩ 1/16W J	
C915	NCB11CK-225X	C CAPACITOR	2.2uF 16V K		R568	NRSA63J-102X	MG RESISTOR	1kΩ 1/16W J	
C916	QERF1HM-225Z	E CAPACITOR	2.2uF 50V M		R569	NRSA63J-102X	MG RESISTOR	1kΩ 1/16W J	
R101	NRSA63J-471X	MG RESISTOR	470Ω 1/16W J		R570	NRSA63J-102X	MG RESISTOR	1kΩ 1/16W J	
R102	NRSA63J-752X	MG RESISTOR	7.5kΩ 1/16W J		R571	NRS181J-333X	MG RESISTOR	33kΩ 1/8W J	
R151	NRSA63J-183X	MG RESISTOR	18kΩ 1/16W J		R573	NRSA63J-333X	MG RESISTOR	33kΩ 1/16W J	
R152	NRSA63J-123X	MG RESISTOR	12kΩ 1/16W J		R574	NRSA63J-221X	MG RESISTOR	220Ω 1/16W J	
R153	NRSA63J-273X	MG RESISTOR	27kΩ 1/16W J		R575	NRSA63J-221X	MG RESISTOR	220Ω 1/16W J	
R154	NRSA63J-223X	MG RESISTOR	22kΩ 1/16W J		R576	NRSA63J-0R0X	MG RESISTOR	0Ω 1/16W J	
R155	NRSA63J-152X	MG RESISTOR	1.5kΩ 1/16W J		R577	NRSA63J-104X	MG RESISTOR	100kΩ 1/16W J	
R156	NRS181J-223X	MG RESISTOR	22kΩ 1/8W J		R579	NRSA63J-102X	MG RESISTOR	1kΩ 1/16W J	
R201	NRSA63J-471X	MG RESISTOR	470Ω 1/16W J		R580	NRSA63J-224X	MG RESISTOR	220kΩ 1/16W J	
R202	NRSA63J-752X	MG RESISTOR	7.5kΩ 1/16W J		R581	NRSA63J-0R0X	MG RESISTOR	0Ω 1/16W J	
R251	NRSA63J-183X	MG RESISTOR	18kΩ 1/16W J		R596	NRSA02J-822X	MG RESISTOR	8.2kΩ 1/10W J	
R252	NRSA63J-123X	MG RESISTOR	12kΩ 1/16W J		R701	NRSA63J-102X	MG RESISTOR	1kΩ 1/16W J	
R253	NRSA63J-273X	MG RESISTOR	27kΩ 1/16W J		R702	NRSA63J-0R0X	MG RESISTOR	0Ω 1/16W J	
R254	NRSA63J-223X	MG RESISTOR	22kΩ 1/16W J		R703	NRSA63J-102X	MG RESISTOR	1kΩ 1/16W J	
R255	NRSA63J-152X	MG RESISTOR	1.5kΩ 1/16W J		R704	NRSA63J-0R0X	MG RESISTOR	0Ω 1/16W J	
R256	NRS181J-223X	MG RESISTOR	22kΩ 1/8W J		R705	NRSA63J-103X	MG RESISTOR	10kΩ 1/16W J	
R301	NRSA63J-223X	MG RESISTOR	22kΩ 1/16W J		R708	NRSA63J-822X	MG RESISTOR	8.2kΩ 1/16W J	
R302	NRSA63J-222X	MG RESISTOR	2.2kΩ 1/16W J		R725	NRSA63J-820X	MG RESISTOR	82Ω 1/16W J	
R303	NRSA63J-473X	MG RESISTOR	47kΩ 1/16W J		R733	NRSA63J-103X	MG RESISTOR	10kΩ 1/16W J	
R304	NRSA63J-473X	MG RESISTOR	47kΩ 1/16W J		R734	NRS181J-471X	MG RESISTOR	470Ω 1/8W J	
R307	NRSA63J-273X	MG RESISTOR	27kΩ 1/16W J		R735	NRS181J-152X	MG RESISTOR	1.5kΩ 1/8W J	
R308	NRSA63J-273X	MG RESISTOR	27kΩ 1/16W J		R736	NRSA63J-102X	MG RESISTOR	1kΩ 1/16W J	
R321	NRSA63J-473X	MG RESISTOR	47kΩ 1/16W J		R791	NRSA63J-103X	MG RESISTOR	10kΩ 1/16W J	
R322	NRSA63J-471X	MG RESISTOR	470Ω 1/16W J		R792	NRSA63J-102X	MG RESISTOR	1kΩ 1/16W J	
R323	NRSA63J-102X	MG RESISTOR	1kΩ 1/16W J		R793	NRSA63J-103X	MG RESISTOR	10kΩ 1/16W J	
R333	NRSA63J-102X	MG RESISTOR	1kΩ 1/16W J		R794	NRSA63J-222X	MG RESISTOR	2.2kΩ 1/16W J	
R334	NRSA63J-101X	MG RESISTOR	100Ω 1/16W J		R795	NRS181J-150X	MG RESISTOR	15Ω 1/8W J	
R336	NRSA63J-222X	MG RESISTOR	2.2kΩ 1/16W J		R796	NRS181J-150X	MG RESISTOR	15Ω 1/8W J	
R401	NRSA63J-223X	MG RESISTOR	22kΩ 1/16W J		R797	NRS181J-100X	MG RESISTOR	10Ω 1/8W J	
R402	NRSA63J-222X	MG RESISTOR	2.2kΩ 1/16W J		R798	NRSA63J-223X	MG RESISTOR	22kΩ 1/16W J	
R403	NRSA63J-473X	MG RESISTOR	47kΩ 1/16W J		R801	NRS181J-103X	MG RESISTOR	10kΩ 1/8W J	
R404	NRSA63J-473X	MG RESISTOR	47kΩ 1/16W J		R803	NRS181J-332X	MG RESISTOR	3.3kΩ 1/8W J	
					R804	NRS181J-332X	MG RESISTOR	3.3kΩ 1/8W J	

Symbol No.	Part No.	Part Name	Description	Local	Symbol No.	Part No.	Part Name	Description	Local
R805	NRS181J-332X	MG RESISTOR	3.3kΩ 1/8W J		D608	SML-310VT/JK/-X	LED		
R807	NRSA63J-473X	MG RESISTOR	47kΩ 1/16W J		D609	SML-310VT/JK/-X	LED		
R808	NRS181J-102X	MG RESISTOR	1kΩ 1/8W J		D610	SML-310VT/JK/-X	LED		
R809	NRS181J-103X	MG RESISTOR	10kΩ 1/8W J		D611	SML-310VT/JK/-X	LED		
R811	NRSA63J-332X	MG RESISTOR	3.3kΩ 1/16W J		D612	SML-310VT/JK/-X	LED		
R812	NRSA63J-332X	MG RESISTOR	3.3kΩ 1/16W J		D613	SML-310VT/JK/-X	LED		
R813	NRSA63J-473X	MG RESISTOR	47kΩ 1/16W J		D614	SML-310VT/JK/-X	LED		
R814	NRSA63J-473X	MG RESISTOR	47kΩ 1/16W J		D615	SML-310VT/JK/-X	LED		
R815	NRSA63J-473X	MG RESISTOR	47kΩ 1/16W J		D616	SML-310VT/JK/-X	LED		
R817	NRS181J-472X	MG RESISTOR	4.7kΩ 1/8W J		D617	SML-310VT/JK/-X	LED		
R818	NRS181J-473X	MG RESISTOR	47kΩ 1/8W J		D618	SML-310VT/JK/-X	LED		
R822	NRSA63J-222X	MG RESISTOR	2.2kΩ 1/16W J		D619	SML-310VT/JK/-X	LED		
R823	NRSA63J-473X	MG RESISTOR	47kΩ 1/16W J		D620	SML-310LT/MN/-X	LED		
R825	NRS181J-473X	MG RESISTOR	47kΩ 1/8W J		D641	UDZS5.6B-X	Z DIODE	1.5kΩ 1/10W J	
R826	NRSA63J-473X	MG RESISTOR	47kΩ 1/16W J		D643	MA111-X	SI DIODE		
R827	NRSA63J-473X	MG RESISTOR	47kΩ 1/16W J		D645	MA8062/M/-X	Z DIODE		
R828	NRSA63J-473X	MG RESISTOR	47kΩ 1/16W J		D731	NSPW310BS/B2RS/	LED		
R829	NRS181J-473X	MG RESISTOR	47kΩ 1/8W J		D732	NSPW310BS/B2RS/	LED		
R830	NRS181J-223X	MG RESISTOR	22kΩ 1/8W J						
R831	NRS181J-472X	MG RESISTOR	4.7kΩ 1/8W J		C601	NCB31HK-223X	C CAPACITOR	0.022uF 50V K	
R832	NRS181J-223X	MG RESISTOR	22kΩ 1/8W J		C602	NCS31HJ-681X	C CAPACITOR	680pF 50V J	
R833	NRS181J-472X	MG RESISTOR	4.7kΩ 1/8W J		C603	NBE20JM-106X	TA E CAPACITOR	10uF 6.3V M	
R834	NRS181J-223X	MG RESISTOR	22kΩ 1/8W J						
R835	NRS181J-472X	MG RESISTOR	4.7kΩ 1/8W J		R601	NRSA63J-681X	MG RESISTOR	680Ω 1/16W J	
R836	NRSA63J-473X	MG RESISTOR	47kΩ 1/16W J		R602	NRSA63J-561X	MG RESISTOR	560Ω 1/16W J	
R840	NRSA63J-473X	MG RESISTOR	47kΩ 1/16W J		R603	NRSA63J-681X	MG RESISTOR	680Ω 1/16W J	
R841	NRSA63J-473X	MG RESISTOR	47kΩ 1/16W J		R604	NRSA63J-911X	MG RESISTOR	910Ω 1/16W J	
R842	NRSA63J-473X	MG RESISTOR	47kΩ 1/16W J		R605	NRSA63J-122X	MG RESISTOR	1.2kΩ 1/16W J	
R843	NRSA63J-0R0X	MG RESISTOR	0Ω 1/16W J		R606	NRSA63J-681X	MG RESISTOR	680Ω 1/16W J	
R844	NRSA63J-0R0X	MG RESISTOR	0Ω 1/16W J		R607	NRSA63J-561X	MG RESISTOR	560Ω 1/16W J	
R861	NRS181J-471X	MG RESISTOR	470Ω 1/8W J		R608	NRSA63J-681X	MG RESISTOR	680Ω 1/16W J	
R862	NRS181J-471X	MG RESISTOR	470Ω 1/8W J		R609	NRSA63J-911X	MG RESISTOR	910Ω 1/16W J	
R901	NRSA63J-912X	MG RESISTOR	9.1kΩ 1/16W J		R610	NRSA63J-122X	MG RESISTOR	1.2kΩ 1/16W J	
R902	QRE142J-102X	C RESISTOR	1kΩ 1/4W J		R611	NRSA63J-152X	MG RESISTOR	1.5kΩ 1/16W J	
R903	NRSA63J-472X	MG RESISTOR	4.7kΩ 1/16W J		R612	NRSA63J-681X	MG RESISTOR	680Ω 1/16W J	
R904	NRSA63J-104X	MG RESISTOR	100kΩ 1/16W J		R613	NRSA63J-561X	MG RESISTOR	560Ω 1/16W J	
R905	NRSA63J-472X	MG RESISTOR	4.7kΩ 1/16W J		R614	NRSA63J-681X	MG RESISTOR	680Ω 1/16W J	
R906	NRSA63J-472X	MG RESISTOR	4.7kΩ 1/16W J		R615	NRSA63J-911X	MG RESISTOR	910Ω 1/16W J	
R907	NRSA63J-393X	MG RESISTOR	39kΩ 1/16W J		R616	NRSA63J-122X	MG RESISTOR	1.2kΩ 1/16W J	
R908	NRSA63J-683X	MG RESISTOR	68kΩ 1/16W J		R617	NRSA63J-152X	MG RESISTOR	1.5kΩ 1/16W J	
R909	NRSA63J-273X	MG RESISTOR	27kΩ 1/16W J		R631	NRSA02J-821X	MG RESISTOR	820Ω 1/10W J	
R910	NRSA63J-473X	MG RESISTOR	47kΩ 1/16W J		R632	NRSA02J-222X	MG RESISTOR	2.2kΩ 1/10W J	
R911	NRS181J-473X	MG RESISTOR	47kΩ 1/8W J		R633	NRSA02J-222X	MG RESISTOR	2.2kΩ 1/10W J	
					R634	NRSA02J-102X	MG RESISTOR	1kΩ 1/10W J	
L501	QQL231K-4R7Y	COIL	4.7uH K		R635	NRSA02J-102X	MG RESISTOR	1kΩ 1/10W J	
L561	QQL231K-4R7Y	COIL	4.7uH K		R636	NRSA02J-122X	MG RESISTOR	1.2kΩ 1/10W J	
L562	QQL231K-4R7Y	COIL	4.7uH K		R637	NRSA02J-122X	MG RESISTOR	1.2kΩ 1/10W J	
L701	QQL231K-4R7Y	COIL	4.7uH K		R638	NRSA02J-391X	MG RESISTOR	390Ω 1/10W J	
L801	QQL231K-4R7Y	COIL	4.7uH K		R639	NRSA02J-391X	MG RESISTOR	390Ω 1/10W J	
L901	QQR0703-001	CHOKO COIL			R640	NRSA02J-391X	MG RESISTOR	390Ω 1/10W J	
					R641	NRSA02J-391X	MG RESISTOR	390Ω 1/10W J	
CJ321	QNN0519-001	SURROUND JACK			R642	NRSA02J-681X	MG RESISTOR	680Ω 1/10W J	
CJ701	QNB0100-002	CAR ANT JACK			R643	NRSA02J-681X	MG RESISTOR	680Ω 1/10W J	
CN501	QGB2027M4-22S	CONNECTOR	B-B (1-22)		R644	NRSA02J-102X	MG RESISTOR	1kΩ 1/10W J	
CN801	VMC0334-001	CONNECTOR			R645	NRSA02J-102X	MG RESISTOR	1kΩ 1/10W J	
CN901	QNZ0611-001	16P CONNECTOR			R651	NRSA63J-222X	MG RESISTOR	2.2kΩ 1/16W J	
TU701	QAU0281-001	TUNER PACK			R652	NRSA63J-222X	MG RESISTOR	2.2kΩ 1/16W J	
X561	QAX0714-001Z	C RESONATOR	16.000MHz		R653	NRSA63J-103X	MG RESISTOR	10kΩ 1/16W J	
X801	QAX0406-001Z	CRYSTAL	4.500MHz		R654	NRSA63J-103X	MG RESISTOR	10kΩ 1/16W J	
					R655	NRSA63J-103X	MG RESISTOR	10kΩ 1/16W J	
					R656	NRSA63J-103X	MG RESISTOR	10kΩ 1/16W J	
					R657	NRSA63J-513X	MG RESISTOR	51kΩ 1/16W J	
					R658	NRSA63J-184X	MG RESISTOR	180kΩ 1/16W J	
					R731	NRS181J-391X	MG RESISTOR	390Ω 1/8W J	
					R732	NRS181J-391X	MG RESISTOR	390Ω 1/8W J	

SW board

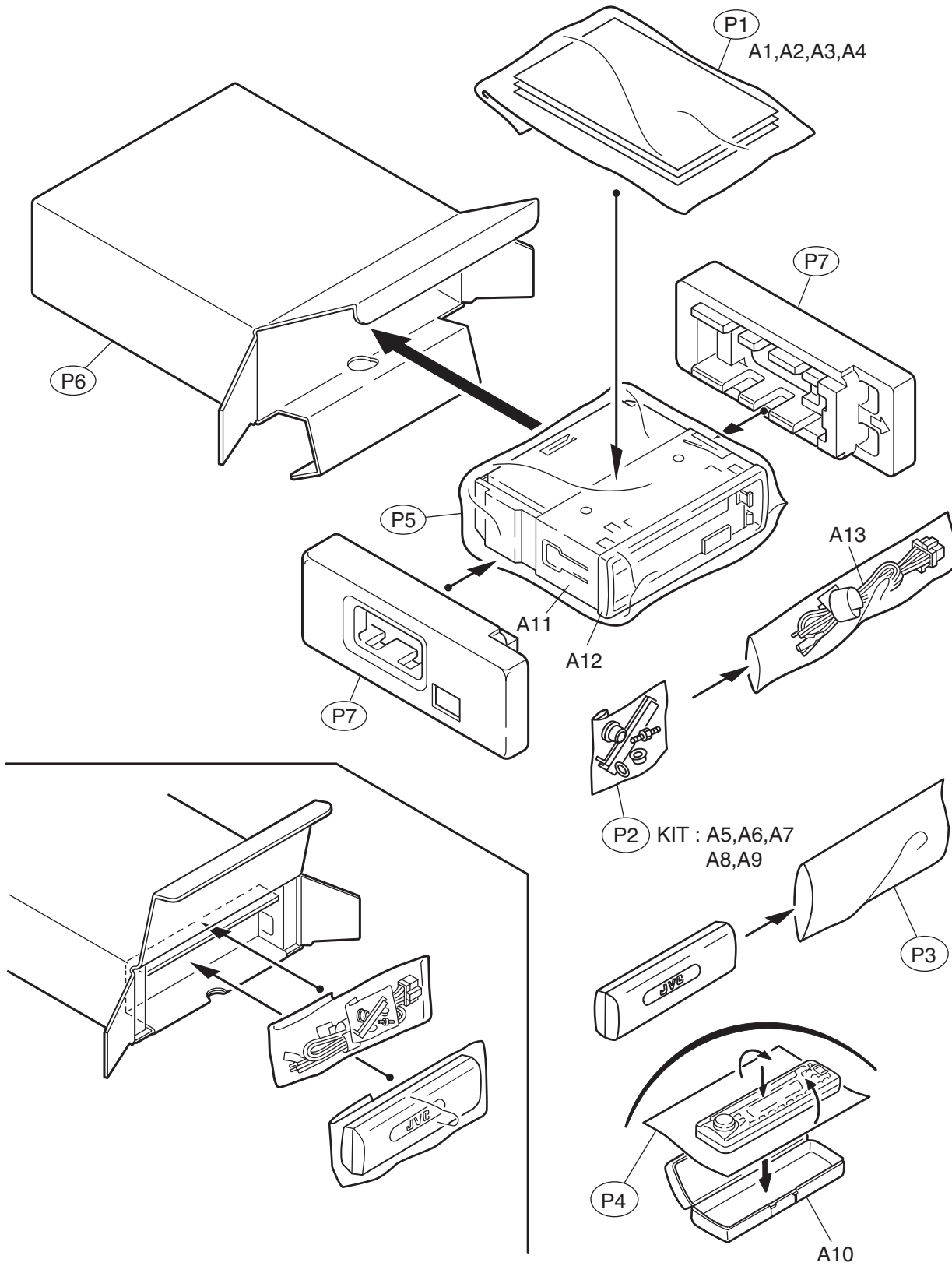
Block No. [0][2][0][0]

Symbol No.	Part No.	Part Name	Description	Local	Symbol No.	Part No.	Part Name	Description	Local
IC601	PT6523LQ	IC	LCD driver		CJ601	VMC0335-001	PANEL CONNECTOR		
D601	SML-310VT/JK/-X	LED			S601	NSW0066-001X	TACT SW		
D602	SML-310VT/JK/-X	LED			S602	NSW0066-001X	TACT SW		
D603	SML-310VT/JK/-X	LED			S603	NSW0066-001X	TACT SW		
D604	SML-310VT/JK/-X	LED			S604	NSW0066-001X	TACT SW		
D605	SML-310VT/JK/-X	LED			S605	NSW0066-001X	TACT SW		
D606	SML-310VT/JK/-X	LED			S606	NSW0066-001X	TACT SW		
D607	SML-310VT/JK/-X	LED			S607	NSW0066-001X	TACT SW		
					S608	NSW0066-001X	TACT SW		
					S609	NSW0066-001X	TACT SW		
					S610	NSW0066-001X	TACT SW		
					S611	NSW0066-001X	TACT SW		

△ Symbol No.	Part No.	Part Name	Description	Local
S612	NSW0066-001X	TACT SW		
S613	NSW0066-001X	TACT SW		
S614	NSW0066-001X	TACT SW		
S615	NSW0066-001X	TACT SW		
S616	NSW0066-001X	TACT SW		
S617	NSW0066-001X	TACT SW		
S618	NSW0066-001X	TACT SW		
S619	NSW0066-001X	TACT SW		
S620	NSW0066-001X	TACT SW		

Packing materials and accessories parts list

Block No. M 3 M M



Packing and accessories

Block No. [M][3][M][M]

△ Symbol No.	Part No.	Part Name	Description	Local
A 1	GET0167-001A	INST BOOK	CHI(PEKIN)	
A 2	GET0167-002A	INSTALL MANUAL		
A 3	BT-59019-1	WARRANTY CARD		
A 4	BT-59012-1C	SVC CTR LIST		
A 5	VKZ4027-202	PLUG NUT		
A 6	VKH4871-001SS	MOUNT BOLT		
A 7	VKZ4328-001	LOCK NUT		
A 8	WNS5000Z	WASHER		
A 9	GE40130-202A	HOOK	(x2)	
A 10	FSJB3001-30C	HARD CASE		
A 11	GE20137-203A	MOUNTING SLEEVE		
A 12	GE20135-301A	TRIM PLATE		
A 13	QAM0013-006	16P CORD ASSY		
KIT	SRW-283UF	SCREWPARTKIT	A5 to A9	
P 1	FSPG4002-001	POLY BAG		
P 2	QPA00801205	POLY BAG	8cm x 12cm	
P 3	QPA01003003	POLY BAG	10cm x 30cm	
P 4	FSYH4036-068	SHEET		
P 5	QPC03004315P	POLY BAG	30cm x 43cm	
P 6	GE30979-001A	CARTON		
P 7	GE10036-201A	EPS CUSHION	(x2)	